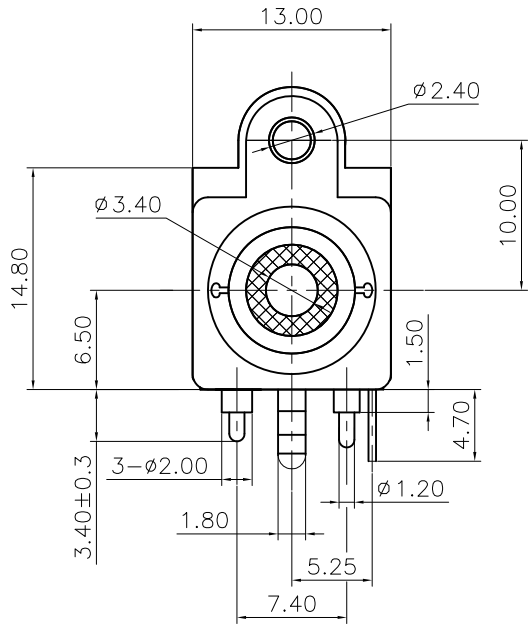
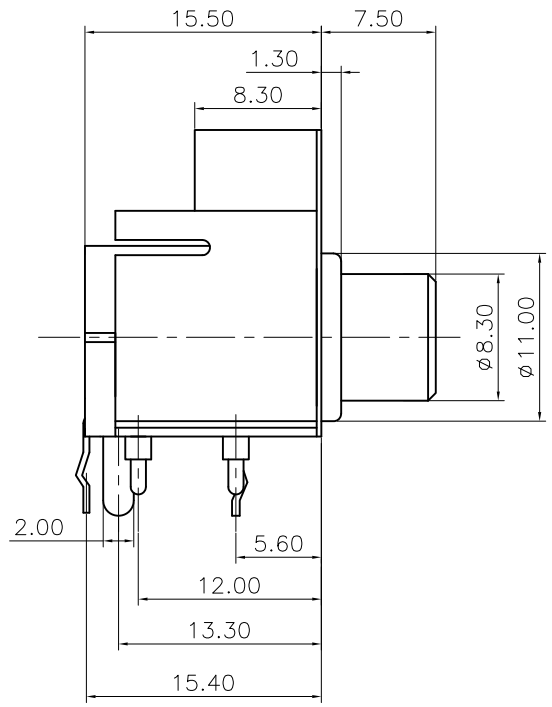
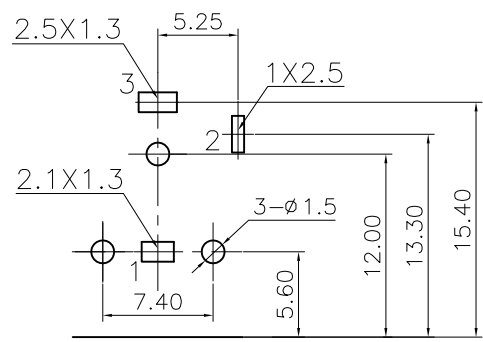
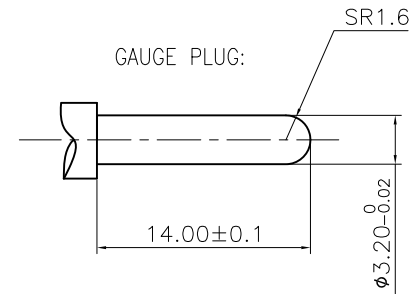


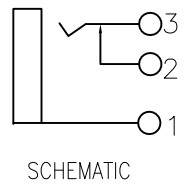
| | | | |
|------|---------|---------------|----------|
| REV. | ECN NO. | MODIFIED MARK | APPROVED |
| A | — | FIRST RELEASE | |




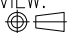
NOTES:
 ELECTRICAL:
 1:RATED CURRENT: 0.2A Max.
 2:RATED VOLTAGE: 50V AC.
 3:CONTACT RESISTANCE: 30 MILLIOHMS Max.
 AFTER TESTING:100 MILLIOHMS Max.
 4:INSULATION RESISTANCE: 100 MEGAOHMS Min.
 5:DIELECTRIC WITHSTANDING VOLTAGE: 500 VAC Min.
 MECHANICAL:
 1:INSERTION FORCE: 3N-30N.
 2:WITHDRAWAL FORCE: 3N-30N.
 3:DURRABILITY: 100 CYCLES.
 ENVIRONMENTAL:
 TEMPERATURE RANGE: -20°C TO 60°C.



PCB LAYOUT
TOP VIEW



| | |
|--|------|
| ANGLE | ±5° |
| 63 < L | ±0.5 |
| 16 < L ≤ 63 | ±0.4 |
| 4 < L ≤ 16 | ±0.3 |
| L ≤ 4 | ±0.2 |
| TOL TABLE: | |
| THIS DOCUMENT IS THE PROPERTY OF TRENPRO TECHNOLOGY CO. LTD. NO PART THEREOF MAY BE REPRODUCED AND USED WITHOUT THE PRIOR WRITTEN CONSENT OF THE OWNER | |

| | | | |
|------------------------------------|---------------------------|---|--|
| MODEL NAME: RCA-104P (PART NO.) | |  广东正宝科技有限公司 GUANGDONG TRENPRO TECHNOLOGY CO. LTD. | |
| MAT'L: See table | DESIGN: Z.F.Lian 09/20'18 | TITLE: RCA PIN JACK | |
| FINISH: See table | CHECKED: L.W.Wu 09/20'18 | DWG NO.: | REV.: A |
| Q'TY: / | APPROVED: X.Q.Hu 09/20'18 | UNIT: mm | VIEW:  SCALE: 5:1 SHEET: 1/1 SIZE: A3 |