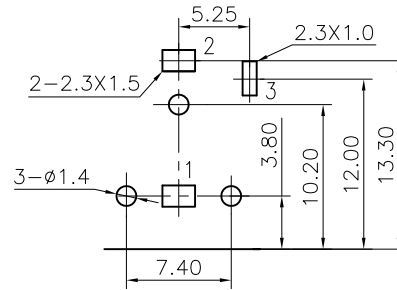
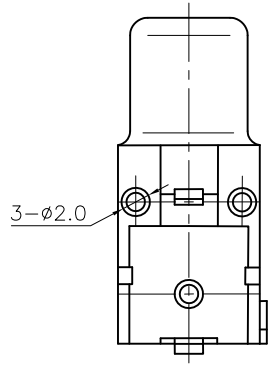


REV.	ECN NO.	MODIFIED MARK	APPROVED
A	—	FIRST RELEASE	



PCB LAYOUT  
TOP VIEW

NOTES:

ELECTRICAL:

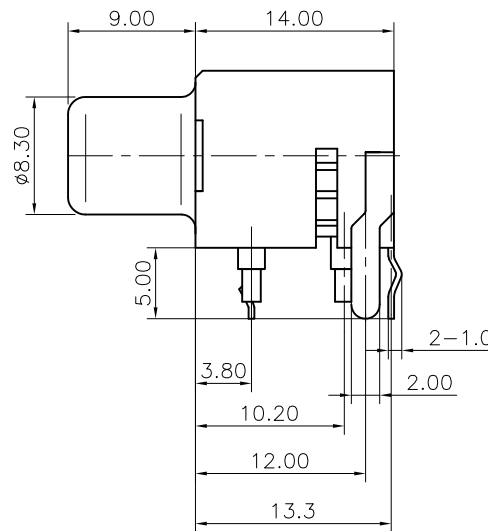
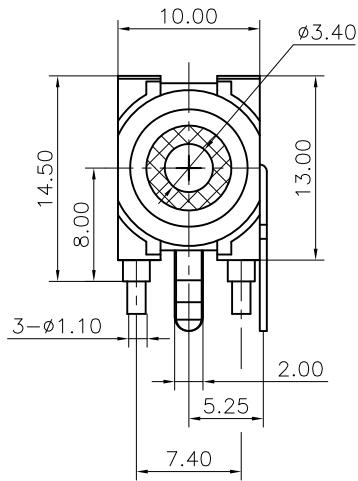
- 1: RATED CURRENT: 0.2A Max.
- 2: RATED VOLTAGE: 50V AC.
- 3: CONTACT RESISTANCE: 30 MILLIOHMS Max.  
AFTER TESTING: 100 MILLIOHMS Max.
- 4: INSULATION RESISTANCE: 100 MEGAOHMS Min.
- 5: DIELECTRIC WITHSTANDING VOLTAGE: 500 VAC Min.

MECHANICAL:

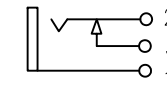
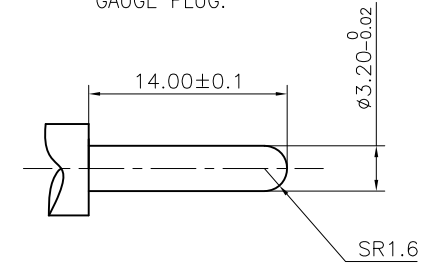
- 1: INSERTION FORCE: 3N-30N.
- 2: WITHDRAWAL FORCE: 3N-30N.
- 3: DURRABILITY: 100 CYCLES.

ENVIRONMENTAL:

TEMPERATURE RANGE: -20°C TO 60°C.



GAUGE PLUG:



SCHEMATIC

ANGLE	±5°
63 < L	±0.5
16 < L ≤ 63	±0.4
4 < L ≤ 16	±0.3
L ≤ 4	±0.2
TOL TABLE:	
THIS DOCUMENT IS THE PROPERTY OF TRENPRO TECHNOLOGY CO. LTD. NO PART THEREOF MAY BE REPRODUCED AND USED WITHOUT THE PRIOR WRITTEN CONSENT OF THE OWNER	

MODEL NAME: RCA-104B  
(PART NO.)



广东正宝科技有限公司  
GUANGDONG TRENPRO TECHNOLOGY CO. LTD.

MAT'L:  
See table

DESIGN: X.H.Wang 10/26'18

TITLE: RCA PIN JACK

FINISH:  
See table

CHECKED: L.W.Wu 10/26'18

DWG NO.:

REV.:  
A

Q'TY: /

APPROVED: X.Q.Hu 10/26'18

UNIT: mm

VIEW:

SCALE: 5:1  
SHEET: 1/1  
SIZE: A3