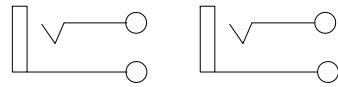
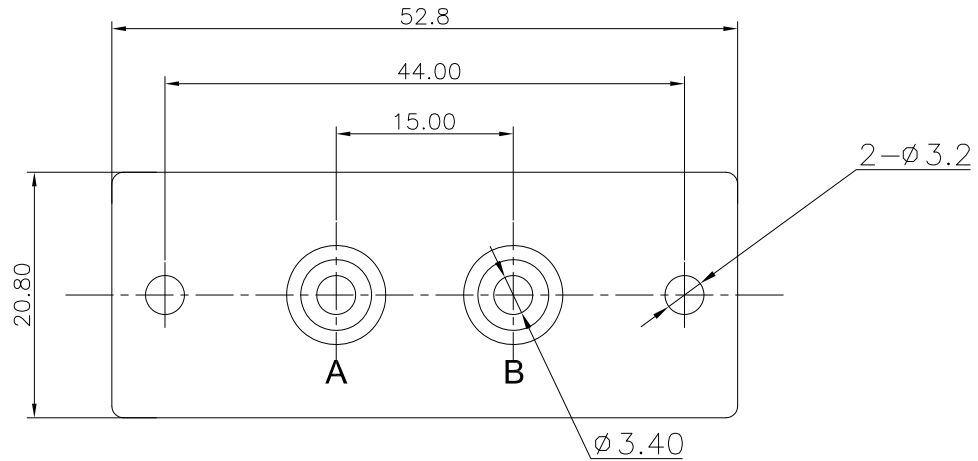


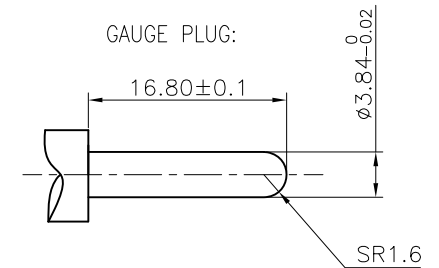
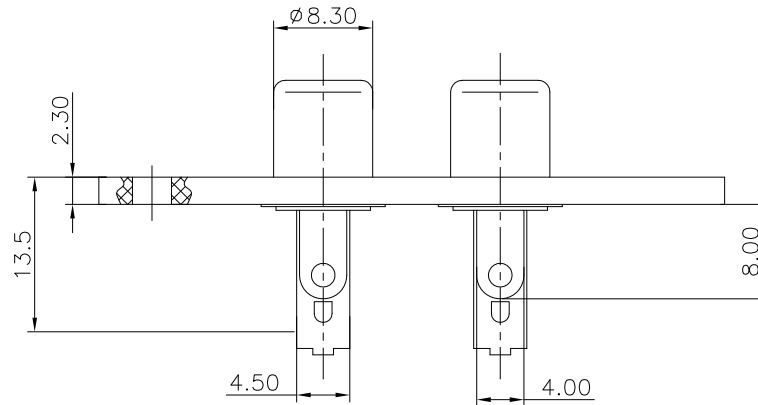
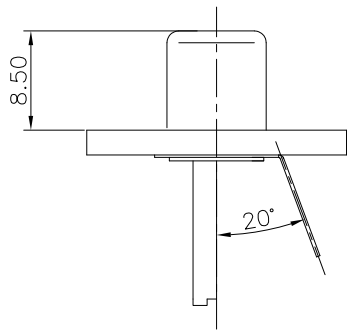
REV.	ECN NO.	MODIFIED MARK	APPROVED
A	—	FIRST RELEASE	



SCHEMATIC



NOTES:  
 ELECTRICAL:  
 1:RATED CURRENT: 0.2A Max.  
 2:RATED VOLTAGE: 50V AC.  
 3:CONTACT RESISTANCE: 30 MILLIOHMS Max.  
 AFTER TESTING:100 MILLIOHMS Max.  
 4:INSULATION RESISTANCE: 100 MEGAOHMS Min.  
 5:DIELECTRIC WITHSTANDING VOLTAGE: 500 VAC Min.  
 MECHANICAL:  
 1:INSERTION FORCE: 3N-30N.  
 2:WITHDRAWAL FORCE: 3N-30N.  
 3:DURRABILITY: 100 CYCLES.  
 ENVIRONMENTAL:  
 TEMPERATURE RANGE: -20°C TO 60°C.



ANGLE	±5°
63 < L	±0.5
16 < L ≤ 63	±0.4
4 < L ≤ 16	±0.3
L ≤ 4	±0.2
TOL TABLE:	
THIS DOCUMENT IS THE PROPERTY OF TRENPRO TECHNOLOGY CO. LTD.,NO PART THEREOF MAY BE REPRODUCED AND USED WITHOUT THE PRIOR WRITTEN CONSENT OF THE OWNER	

MODEL NAME: RCA-203  
(PART NO.)



广东正宝科技有限公司  
GUANGDONG TRENPRO TECHNOLOGY CO. LTD.

MAT'L:  
See table  
FINISH:  
See table  
Q'TY: /

DESIGN: Z.F.LIAN 10/26'18  
CHECKED: L.W.Wu 10/26'18  
APPROVED: X.Q.Hu 10/26'18

TITLE: RCA PIN JACK  
 DWG NO.:  
 UNIT: mm  
 VIEW:   
 SCALE: 5:1  
 SHEET: 1/1  
 SIZE: A3  
 REV.: A