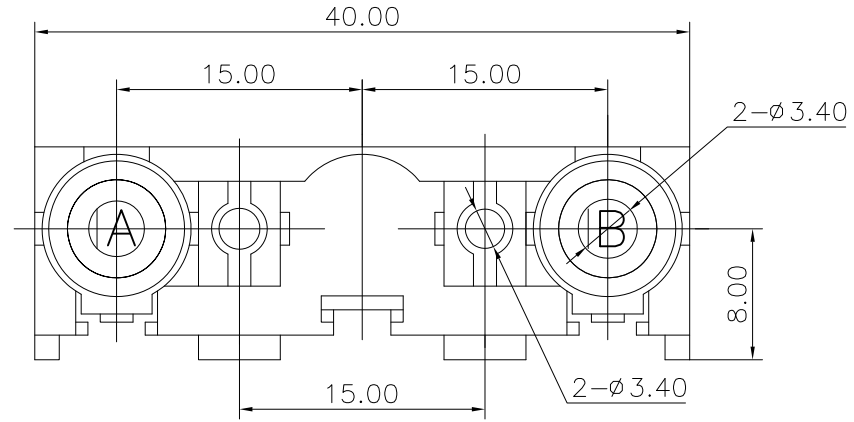
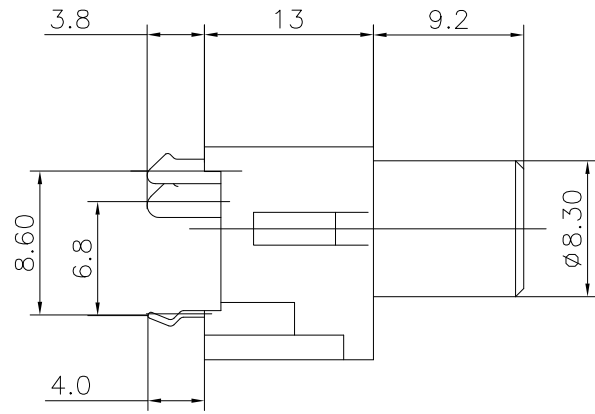
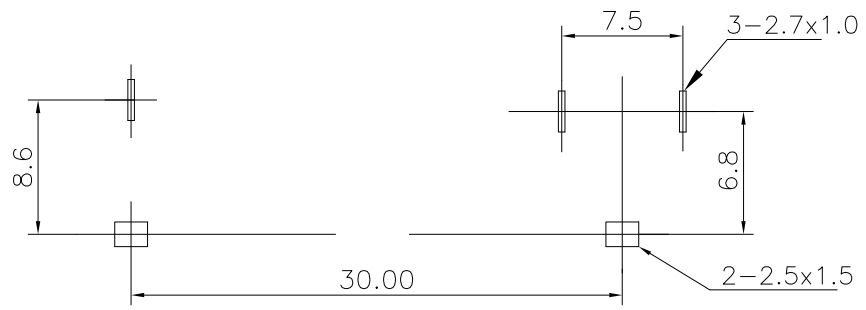


REV.	ECN NO.	MODIFIED MARK	APPROVED
A	—	FIRST RELEASE	

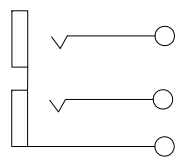
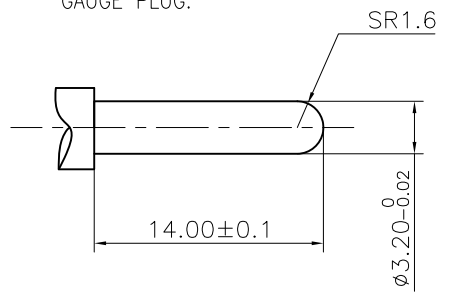


- NOTES:
- ELECTRICAL:
- 1:RATED CURRENT: 0.2A Max.
 - 2:RATED VOLTAGE: 50V AC.
 - 3:CONTACT RESISTANCE: 30 MILLIOHMS Max.
AFTER TESTING:100 MILLIOHMS Max.
 - 4:INSULATION RESISTANCE: 100 MEGAOHMS Min.
 - 5:DIELECTRIC WITHSTANDING VOLTAGE: 500 VAC Min.
- MECHANICAL:
- 1:INSERTION FORCE: 3N-30N.
 - 2:WITHDRAWAL FORCE: 3N-30N.
 - 3:DURRABILITY: 100 CYCLES.
- ENVIRONMENTAL:
- TEMPERATURE RANGE: -20°C TO 60°C.




PCB LAYOUT
TOP VIEW

GAUGE PLUG:



SCHEMATIC

ANGLE	±5°	MODEL NAME: RCA-223 (PART NO.)	 广东正宝科技有限公司 GUANGDONG TRENPRO TECHNOLOGY CO., LTD.				
63 < L	±0.5						
16 < L ≤ 63	±0.4						
4 < L ≤ 16	±0.3						
L ≤ 4	±0.2						
TOL TABLE:		MAT'L: See table	DESIGN:X.H.Wang 12/11'18	TITLE: RCA PIN JACK			
THIS DOCUMENT IS THE PROPERTY OF TRENPRO TECHNOLOGY CO., LTD.NO PART THEREOF MAY BE REPRODUCED AND USED WITHOUT THE PRIOR WRITTEN CONSENT OF THE OWNER		FINISH: See table	CHECKED:L.W.Wu 12/11'18	DWG NO.:		REV.:	
		Q'TY:/	APPROVEDX.Q.Hu 12/11'18	UNIT:	VIEW:	SCALE:	
				mm	1/1	5:1	SHEET:
						1/1	A3