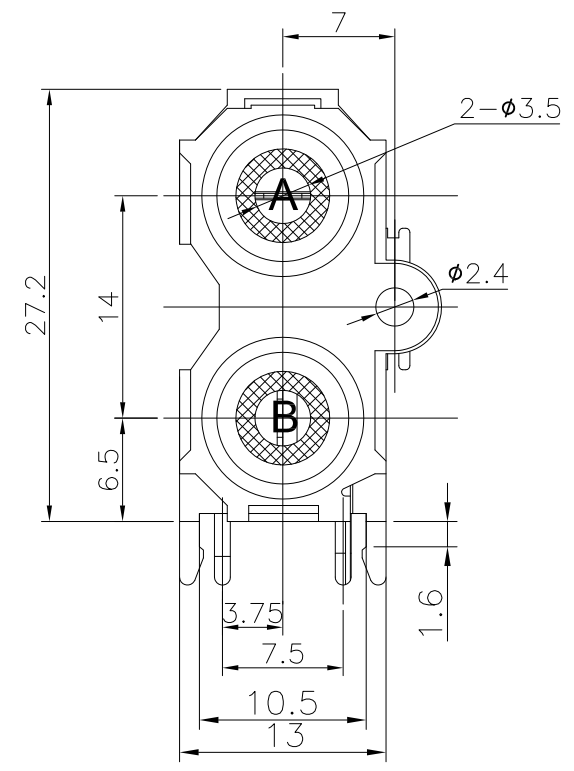
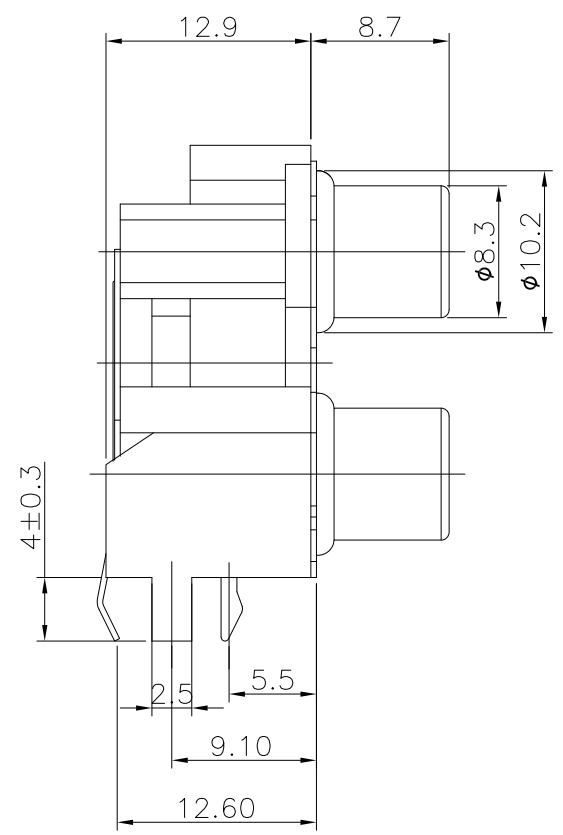
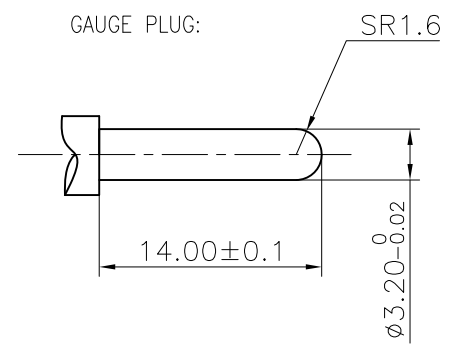
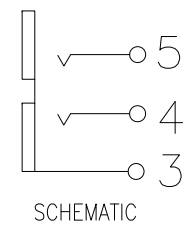
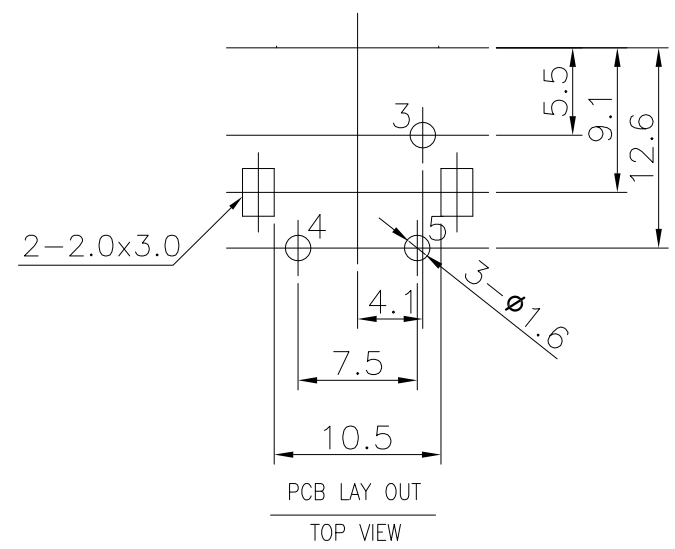


|      |         |               |          |
|------|---------|---------------|----------|
| REV. | ECN NO. | MODIFIED MARK | APPROVED |
| A    | —       | FIRST RELEASE |          |


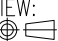


NOTES:  
 ELECTRICAL:  
 1:RATED CURRENT: 0.2A Max.  
 2:RATED VOLTAGE: 50V AC.  
 3:CONTACT RESISTANCE: 30 MILLIOHMS Max.  
 AFTER TESTING:100 MILLIOHMS Max.  
 4:INSULATION RESISTANCE: 100 MEGAOHMS Min.  
 5:DIELECTRIC WITHSTANDING VOLTAGE: 500 VAC Min.  
 MECHANICAL:  
 1:INSERTION FORCE: 3N-30N.  
 2:WITHDRAWAL FORCE: 3N-30N.  
 3:DURRABILITY: 100 CYCLES.  
 ENVIRONMENTAL:  
 TEMPERATURE RANGE: -20°C TO 60°C.



|  |      |
|--|------|
| ANGLE  | ±5°  |
| 63 < L   | ±0.5 |
| 16 < L ≤ 63  | ±0.4 |
| 4 < L ≤ 16   | ±0.3 |
| L ≤ 4  | ±0.2 |
| TOL TABLE:   |      |
| THIS DOCUMENT IS THE PROPERTY OF TRENPRO TECHNOLOGY CO., LTD.NO PART THEREOF MAY BE REPRODUCED AND USED WITHOUT THE PRIOR WRITTEN CONSENT OF THE OWNER |      |

|                                   |                           |
|-----------------------------------|---------------------------|
| MODEL NAME: RCA-230<br>(PART NO.) |                           |
| MAT'L:<br>See table               | DESIGN: X.H.Wang 11/15'18 |
| FINISH:<br>See table              | CHECKED: L.W.Wu 11/15'18  |
| Q'TY:/                            | APPROVED:X.Q.Hu 11/15'18  |

|  |   |
|--|---|
|  广东正宝科技有限公司<br>GUANGDONG TRENPRO TECHNOLOGY CO., LTD. |   |
| TITLE: RCA PIN JACK  |   |
| DWG NO.:   | REV.: A   |
| UNIT: mm   | VIEW:  |
| SCALE: 5:1   | SHEET: 1/1  |
| SIZE: A3   |   |