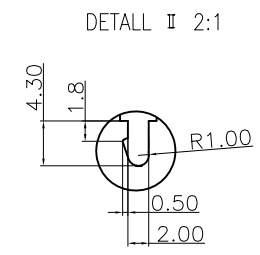
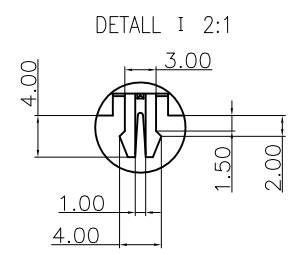
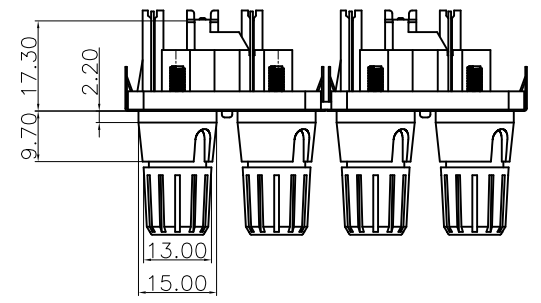
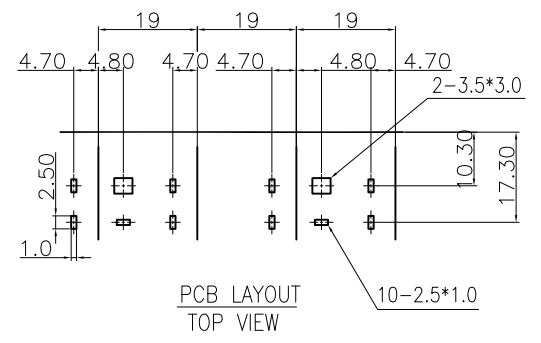
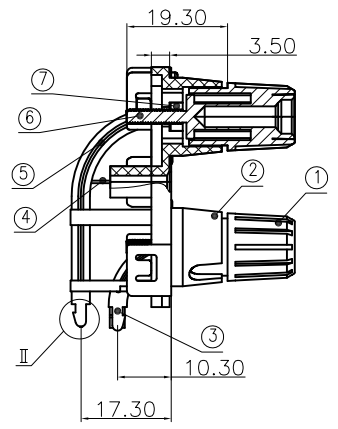
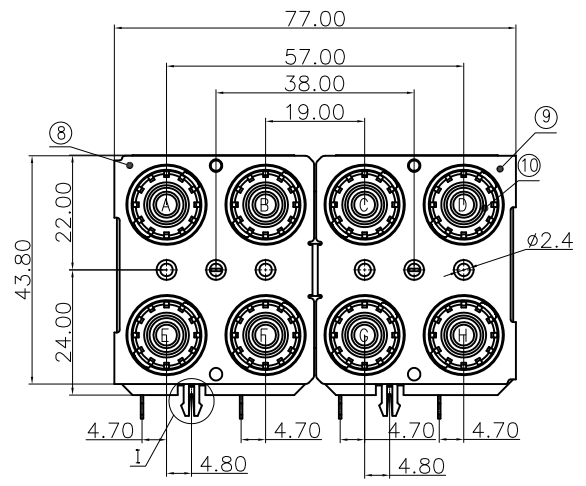


REV.	ECN NO.	MODIFIED MARK	APPROVED
X	—	设计粗稿	



CODE	A	B	C	D
COLOR	RED	RED	RED	RED
CODE	E	F	G	H
COLOR	BLACK	BLACK	BLACK	BLACK

NOTES:
 ELECTRICAL:
 1:RATED CURRENT: 3A Max.
 2:RATED VOLTAGE: 50V AC.
 3:INSULATION RESISTANCE: 100 MEGAOHMS Min.
 4:DIELECTRIC WITHSTANDING VOLTAGE: 1200 VAC Min.
 MECHANICAL:
 1:WIRE IN HOLD FORCE 5N (20#WIRE) MIN
 2:INSPECTED VOLTAGE, AT THE SPEED OF 6-10S PER MINUTES, THE SAMPLES ARE INSPECTED 10000 CYCLES, BUT THERE ARE NO DAMAGE ON THE PRESSURE AND THE RISING TEMPERATURE, ETC.3:APPLY 2kgf FORCE AT ANY DIRECTION , THERE NO LOOSE & NO CRACK

⑩	COLOR RING	8	ABS 94HB	SEE COLOR TABLE	RoHS
⑨	COVER-2	1	SPTe		
⑧	COVER-1	1	SPTe		
⑦	NUT	8	SPCC	Ni PLATED	
⑥	SCREW	8	BRASS	Au PLATED	
⑤	TERMINAL-C	4	BRASS t=0.5	CuSn PLATED	
④	TERMINAL-B	2	BRASS t=0.5	CuSn PLATED	
③	TERMINAL-A	4	BRASS t=0.5	CuSn PLATED	
②	HOUSE	1	ABS 94HB	BLACK	
①	KNOB	8	ABS 94HB		
NO.	PART NAME	Q'TY	MATERIAL	FINISH/COLOR	REMARK
ANGLE		±5°	MODEL NAME: WP8-26* (PART NO.)		 广东正宝科技有限公司 GUANGDONG TRENPRO TECHNOLOGY CO., LTD.
63 < L		±0.5	DESIGN: X.H.Wang 12/08'18		
16 < L ≤ 63		±0.4	TITLE: WP PUSH TERMINAL		
4 < L ≤ 16		±0.3	CHECKED: L.W.Wu 12/08'18		
L ≤ 4		±0.2	APPROVED: X.Q.Hu 12/08'18		
TOL TABLE:			DWG NO.:		REV.: A
THIS DOCUMENT IS THE PROPERTY OF ZHENGWEI ELECTRONICS CO.,LTD.NO PART THEREOF MAY BE REPRODUCED AND USED WITHOUT THE PRIOR WRITTEN CONSENT OF THE OWNER			UNIT: mm		SCALE: 5:1
			VIEW: 		SHEET: 1/1
			Q'TY: /		SIZE: A3