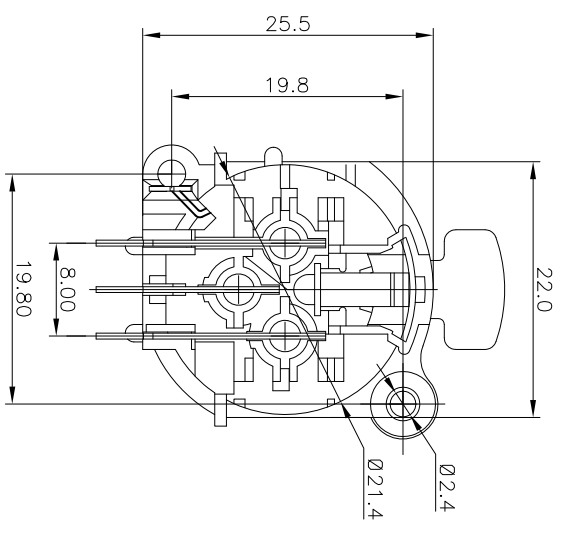
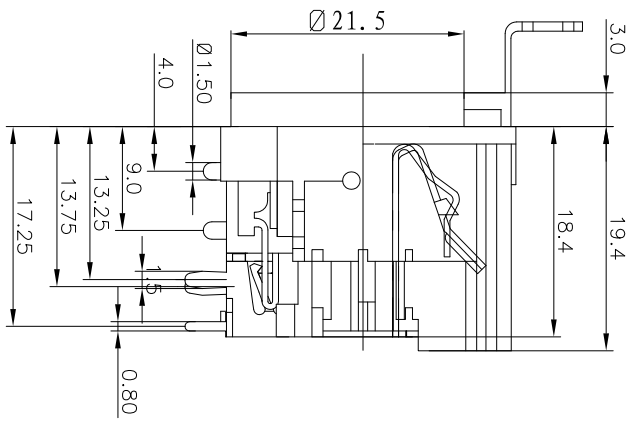
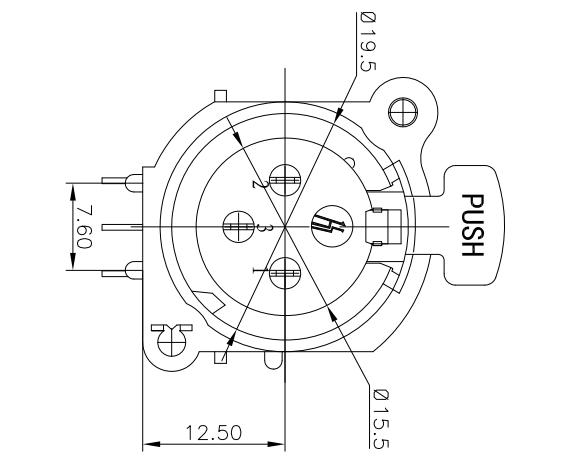
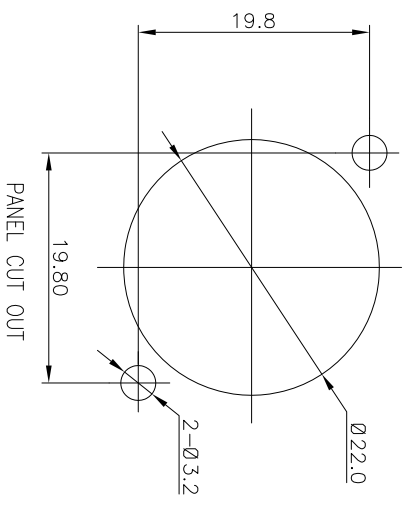
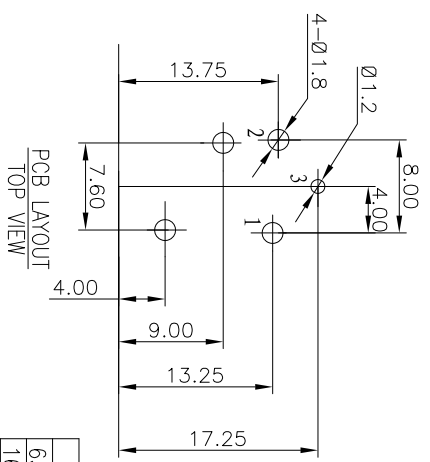


REV.	ECN NO.	MODIFIED MARK	APPROVED
A		FIRST RELEASE	



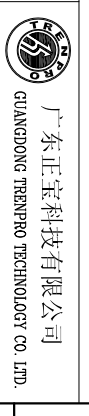
NOTES:
 ELECTRICAL:
 1:RATED CURRENT: 6A Max.
 2:RATED VOLTAGE: 50V AC.
 3:CONTACT RESISTANCE: 30 MILLIOHMS Max.
 AFTER TESTING:60 MILLIOHMS Max.
 4:INSULATION RESISTANCE: 1G OHMS Min.
 5:DIIELECTRIC WITHSTANDING VOLTAGE: 500 VAC Min.
 MECHANICAL:
 1:INSERTION FORCE: 5N-40N.
 2:WITHDRAWAL FORCE: 5N-40N.
 3:DURRABILITY: 1000 CYCLES.
 ENVIRONMENTAL:
 TEMPERATURE RANGE: -30°C TO 80°C.



ANGLE	±5°
63 < L	±0.5
16 < L ≤ 63	±0.4
4 < L ≤ 16	±0.3
L ≤ 4	±0.2

TOL TABLE:
 THIS DOCUMENT IS THE PROPERTY OF
 TREPRO TECHNOLOGY CO., LTD., NO PART
 THEREOF MAY BE REPRODUCED AND
 USED WITHOUT THE PRIOR WRITTEN
 CONSENT OF THE OWNER

MODEL NAME: SPF-07E
 (PART NO.)
 DESIGN: X.H.Wong 08/16/18
 TITLE: XLR CABLE CONNECTORS



广东正宝科技有限公司
 GUANGDONG TREPRO TECHNOLOGY CO. LTD.

MAT'L: See table
 FINISH: See table
 Q'TY: /
 APPROVED: Q.Hu 08/16/18
 UNIT: mm
 VIEW: SCALE: 5:1
 SHEET: 1/1
 SIZE: A3
 REV.: A