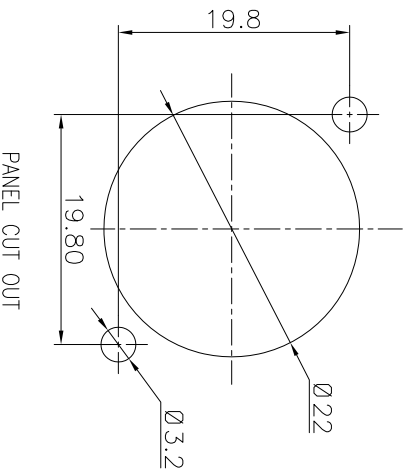
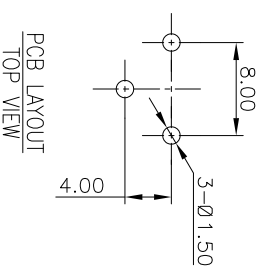
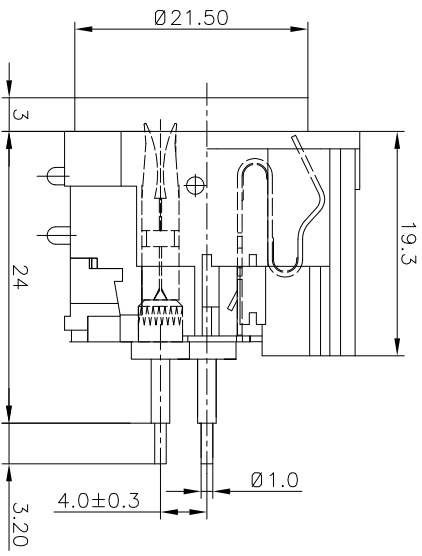
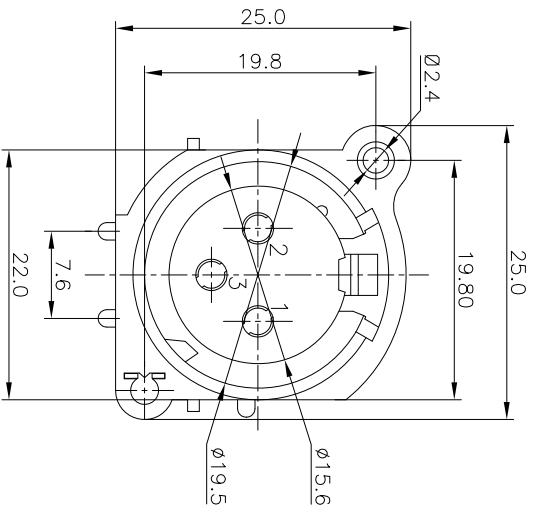



REV. A	ECN NO.	MODIFIED MARK	APPROVED
		FIRST RELEASE	



- NOTES:
- ELECTRICAL:
- 1:RATED CURRENT: 6A Max.
 - 2:RATED VOLTAGE: 50V AC.
 - 3:CONTACT RESISTANCE: 30 MILLIOHMS Max.
 - 4:INSULATION RESISTANCE: 1G OHMS Min.
 - 5:DIELECTRIC WITHSTANDING VOLTAGE: 500 VAC Min.
- MECHANICAL:
- 1:INSERTION FORCE: 5N-40N.
 - 2:WITHDRAWAL FORCE: 5N-40N.
 - 3:DURABILITY: 1000 CYCLES.
- ENVIRONMENTAL:
- TEMPERATURE RANGE: -30°C TO 80°C.

ANGLE	±5°	MODEL NAME: SPF-07C	 广东正宝科技有限公司 GUANGDONG TREMPRO TECHNOLOGY CO. LTD.
63 < L	±0.5	(PART NO.)	
16 < L ≤ 63	±0.4		
4 < L ≤ 16	±0.3	MAT'L: See table	TITLE: XLR CABLE CONNECTORS
L ≤ 4	±0.2	FINISH: See table	CHECKED: L.W.Wu 08/16/18
TOL TABLE:		DESIGN: X.H.Wong 08/16/18	DWG NO.:
THIS DOCUMENT IS THE PROPERTY OF TREMPRO TECHNOLOGY CO. LTD. NO PART THEREOF MAY BE REPRODUCED AND USED WITHOUT THE PRIOR WRITTEN CONSENT OF THE OWNER		Q'TY: /	APPROVED: Q.Hu 08/16/18
		UNIT: mm	VIEW: 5:1
		SCALE: 5:1	SHEET: 1/1
		SIZE: A3	REV.: A