

REV.	ECN NO.	MODIFIED MARK	APPROVED
A		FIRST RELEASE	

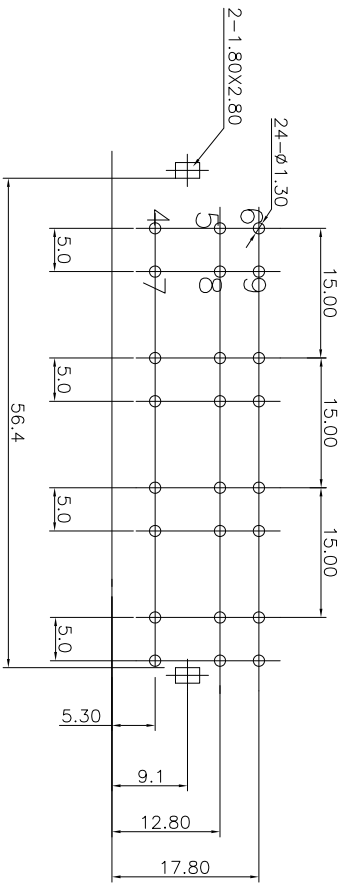
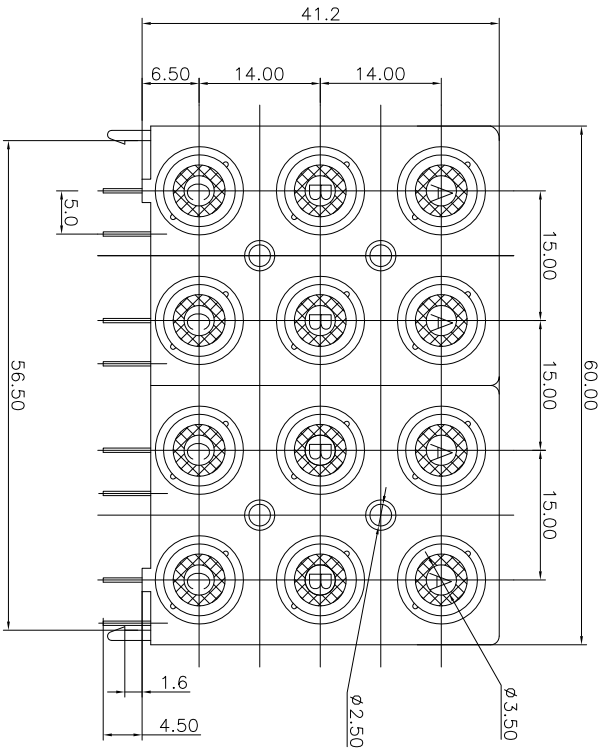
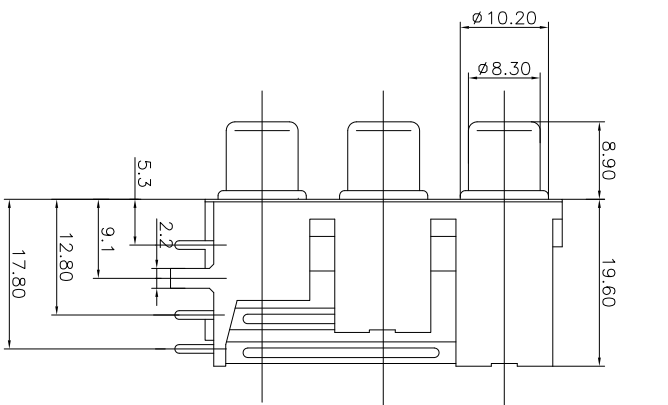
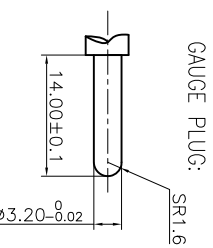
NOTES:

ELECTRICAL:

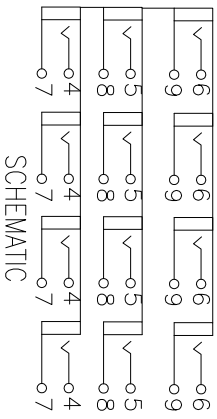
- 1: RATED CURRENT: 0.2A Max.
- 2: RATED VOLTAGE: 50V AC.
- 3: CONTACT RESISTANCE: 30 MILLIOHMS Max. AFTER TESTING: 100 MILLIOHMS Max.
- 4: INSULATION RESISTANCE: 100 MEGAOHMS Min.
- 5: DIELECTRIC WITHSTANDING VOLTAGE: 500 VAC Min.

MECHANICAL:

- 1: INSERTION FORCE: 3N-30N.
  - 2: WITHDRAWAL FORCE: 3N-30N.
  - 3: DURABILITY: 100 CYCLES.
- ENVIRONMENTAL:  
TEMPERATURE RANGE: -20°C TO 60°C.



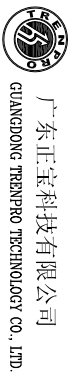
PCB LAYOUT  
TOP VIEW



ANGLE	±5°
63 < L	±0.5
16 < L ≤ 63	±0.4
4 < L ≤ 16	±0.3
L ≤ 4	±0.2

TOL TABLE:  
THIS DOCUMENT IS THE PROPERTY OF  
TERPRO TECHNOLOGY CO., LTD. NO PART  
HEREOF MAY BE REPRODUCED AND  
USED WITHOUT THE PRIOR WRITTEN  
CONSENT OF THE OWNER

MODEL NAME: RCA-1217P (PART NO.)	DESIGN: X.H.Wang	DATE: 11/24'18	TITLE: RCA PIN JACK	REV.: A
FINISH: See table	CHECKED: L.W.Wu	DATE: 11/24'18	DWG NO.:	
Q'TY: /	APPROVED: X.Q.Hu	DATE: 11/24'18	UNIT: mm	VIEW: 5:1
			SCALE: SHEET: 1/1	SIZE: A3



广东正宝科技有限公司  
GUANGDONG TERPRO TECHNOLOGY CO., LTD.