

REV.	ECN NO.	MODIFIED MARK	APPROVED
A		FIRST RELEASE	

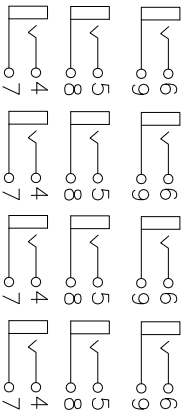
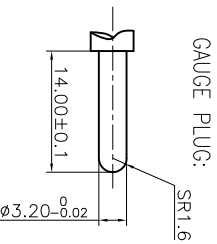
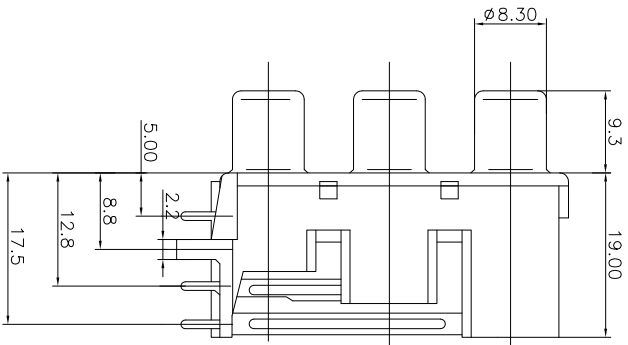
NOTES:

ELECTRICAL:

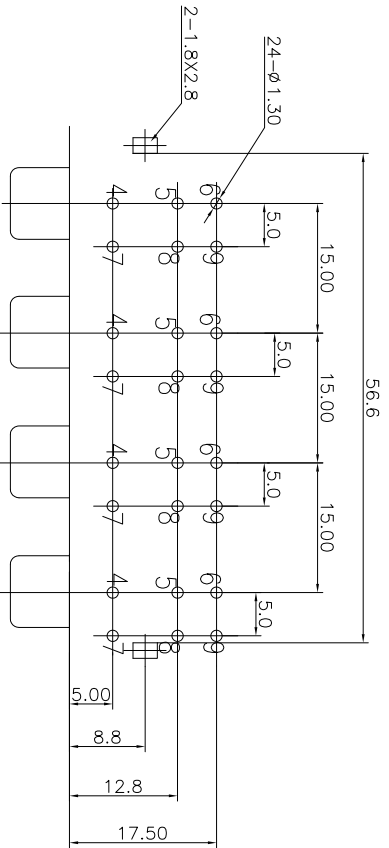
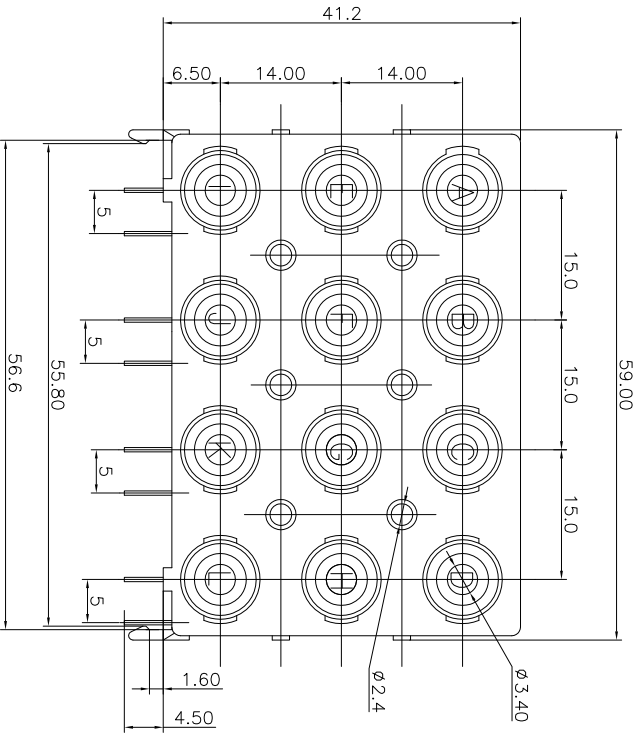
- 1: RATED CURRENT: 0.2A Max.
- 2: RATED VOLTAGE: 50V AC.
- 3: CONTACT RESISTANCE: 30 MILLIOHMS Max.
AFTER TESTING: 100 MILLIOHMS Max.
- 4: INSULATION RESISTANCE: 100 MEGAOHMS Min.
- 5: DIELECTRIC WITHSTANDING VOLTAGE: 500 VAC Min.

MECHANICAL:

- 1: INSERTION FORCE: 3N-30N.
 - 2: WITHDRAWAL FORCE: 3N-30N.
 - 3: DURABILITY: 100 CYCLES.
- ENVIRONMENTAL:
TEMPERATURE RANGE: -20°C TO 60°C.



SCHEMATIC



PCB LAYOUT
TOP VIEW

MODEL NAME: RCA-1217 (PART NO.)	DESIGN: X.H.Wang 11/24'18	TITLE: RCA PIN JACK	REV.: A
MAT'L: See table	CHECKED: L.W.Wu 11/24'18	DWG NO.:	VIEW: 5:1
FINISH: See table	APPROVED: X.Q.Hu 11/24'18	UNIT: mm	SHEET: 1/1
Q'TY: /			SIZE: A3



广东正宝科技有限公司
GUANGDONG TRENPRO TECHNOLOGY CO., LTD.

TOL TABLE:

ANGLE	±5°
63 < L	±0.5
16 < L ≤ 63	±0.4
4 < L ≤ 16	±0.3
L ≤ 4	±0.2

THIS DOCUMENT IS THE PROPERTY OF TRENPRO TECHNOLOGY CO., LTD. NO PART THEREOF MAY BE REPRODUCED AND USED WITHOUT THE PRIOR WRITTEN CONSENT OF THE OWNER