

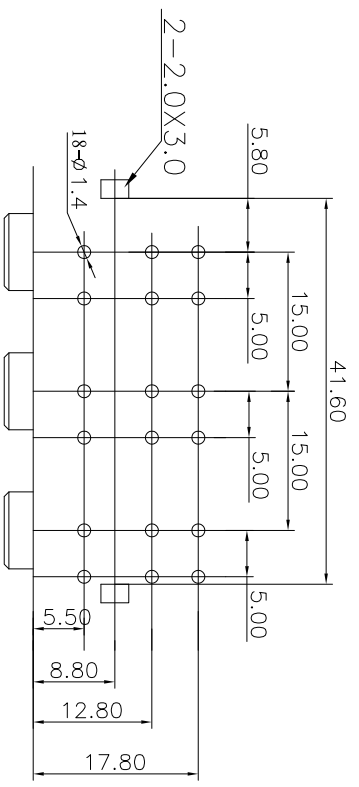
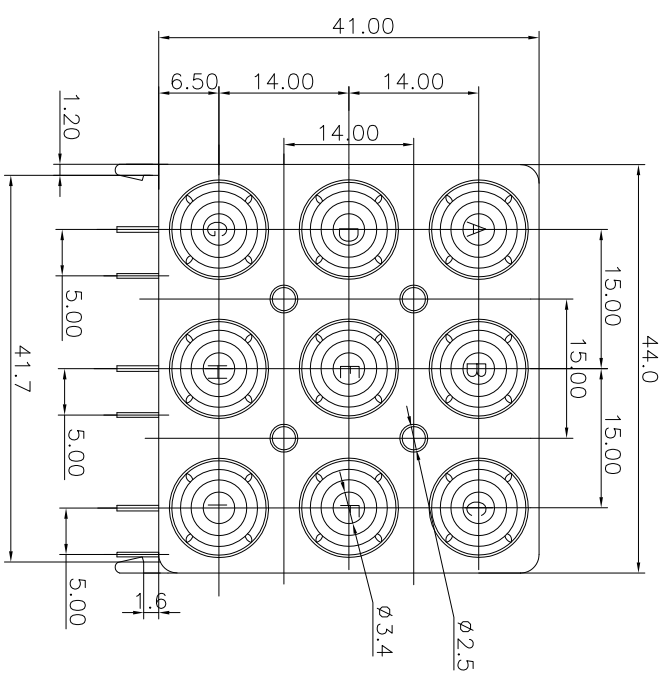
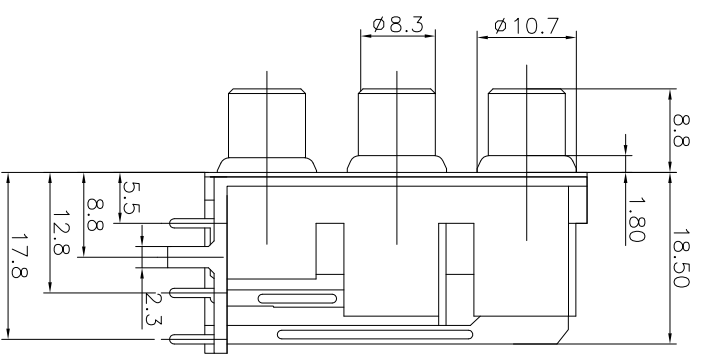
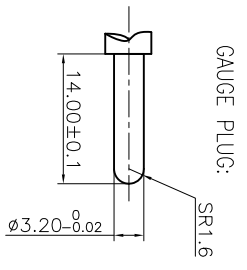
REV.	ECN NO.	MODIFIED MARK	APPROVED
A		FIRST RELEASE	

NOTES:
ELECTRICAL:

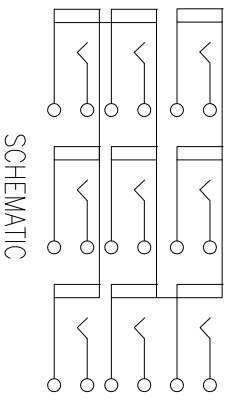
- 1: RATED CURRENT: 0.2A Max.
- 2: RATED VOLTAGE: 50V AC.
- 3: CONTACT RESISTANCE: 30 MILLIOHMS Max. AFTER TESTING: 100 MILLIOHMS Max.
- 4: INSULATION RESISTANCE: 100 MEGAOHMS Min.
- 5: DIELECTRIC WITHSTANDING VOLTAGE: 500 VAC Min.

MECHANICAL:

- 1: INSERTION FORCE: 3N-30N.
 - 2: WITHDRAWAL FORCE: 3N-30N.
 - 3: DURABILITY: 100 CYCLES.
- ENVIRONMENTAL:
TEMPERATURE RANGE: -20°C TO 60°C.



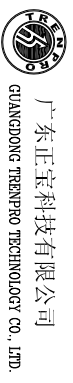
PCB LAYOUT
TOP VIEW



ANGLE	±5°
63 < L	±0.5
16 < L ≤ 63	±0.4
4 < L ≤ 16	±0.3
L ≤ 4	±0.2

TOL TABLE:

MODEL NAME: RCA-917P (PART NO.)		TITLE: RCA PIN JACK	
MAT'L: See table	DESIGN: X.H.Wang	DATE: 11/24'18	
FINISH: See table	CHECKED: L.W.Wu	DATE: 11/24'18	
Q'TY: /	APPROVED: X.Q.Hu	DATE: 11/24'18	
UNIT: mm	VIEW: [Symbol]	SCALE: 5:1	SHEET: 1/1
REV.: A	DWG NO.:	SIZE: A3	



THIS DOCUMENT IS THE PROPERTY OF TRENPRO TECHNOLOGY CO., LTD AND THEREFORE MAY BE REPRODUCED AND USED WITHOUT THE PRIOR WRITTEN CONSENT OF THE OWNER