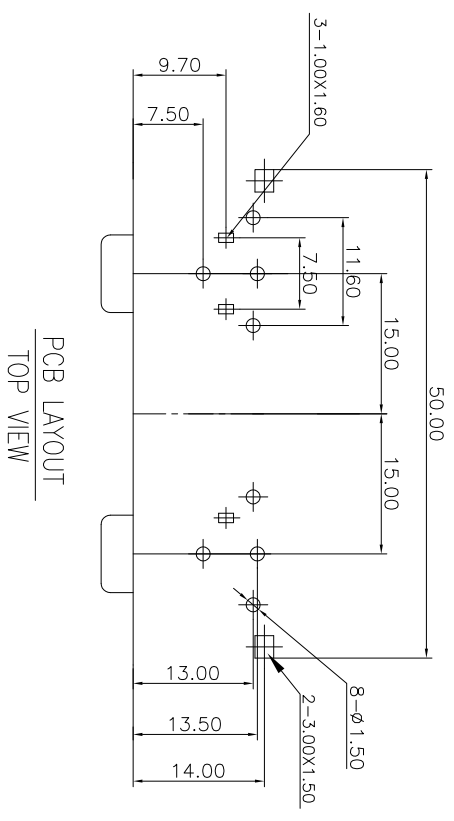
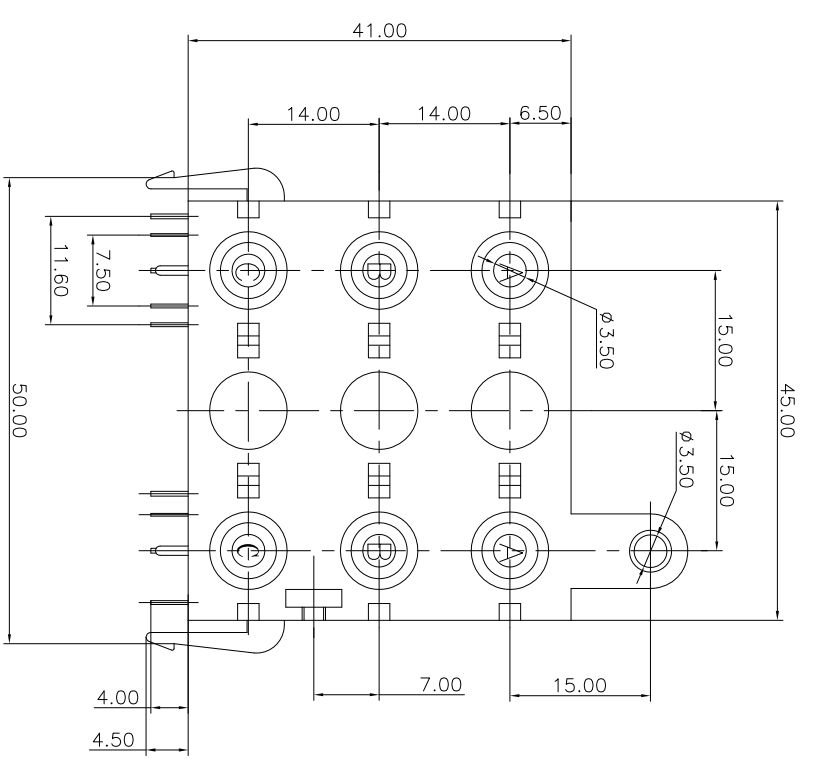
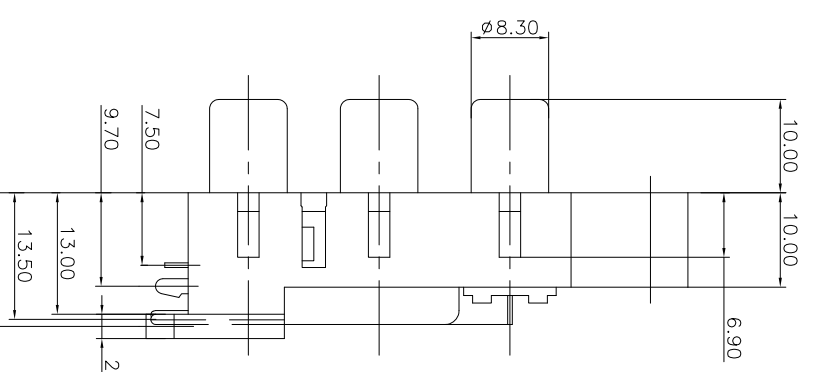
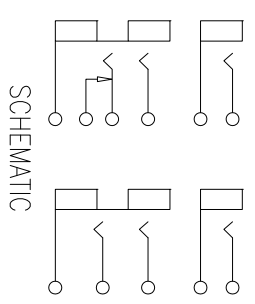
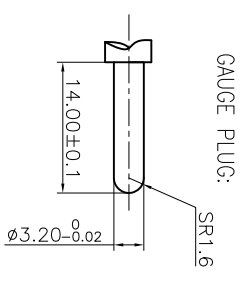


REV.	ECN NO.	MODIFIED MARK	APPROVED
A		FIRST RELEASE	

NOTES:
ELECTRICAL:
1: RATED CURRENT: 0.2A Max.
2: RATED VOLTAGE: 50V AC.
3: CONTACT RESISTANCE: 30 MILLIOHMS Max.
AFTER TESTING: 100 MILLIOHMS Max.
4: INSULATION RESISTANCE: 100 MEGAOHMS Min.
5: DIELECTRIC WITHSTANDING VOLTAGE: 500 VAC Min.

MECHANICAL:
1: INSERTION FORCE: 3N-30N.
2: WITHDRAWAL FORCE: 3N-30N.
3: DURABILITY: 100 CYCLES.
ENVIRONMENTAL:
TEMPERATURE RANGE: -20°C TO 60°C.



MODEL NAME: RCA-901 (PART NO.)	DESIGN: X.H.Wang 11/24'18	TITLE: RCA PIN JACK
MAT'L: See table	CHECKED: L.W.Wu 11/24'18	DWG NO.:
FINISH: See table	APPROVED: X.Q.Hu 11/24'18	UNIT: mm
Q'TY: /		VIEW:
		SCALE: 5:1
		SHEET: 1/1
		SIZE: A3

广东正宝科技有限公司
GUANGDONG TRENPPO TECHNOLOGY CO., LTD.

TOL TABLE:
ANGLE ±5°
63 < L ±0.5
16 < L ≤ 63 ±0.4
4 < L ≤ 16 ±0.3
L ≤ 4 ±0.2

THIS DOCUMENT IS THE PROPERTY OF
TRENPRO TECHNOLOGY CO., LTD. NO PART
HEREOF MAY BE REPRODUCED AND
USED WITHOUT THE PRIOR WRITTEN
CONSENT OF THE OWNER