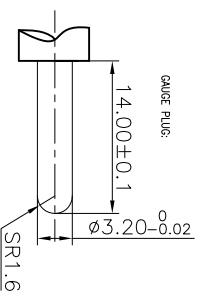
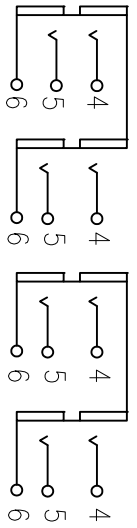
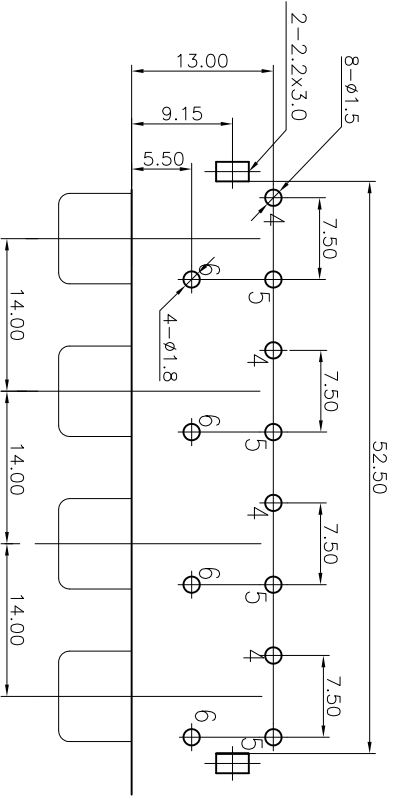


- NOTES:
- ELECTRICAL:
- 1: RATED CURRENT: 0.2A Max.
 - 2: RATED VOLTAGE: 50V AC.
 - 3: CONTACT RESISTANCE: 30 MILLIOHMS Max.
 - AFTER TESTING: 100 MILLIOHMS Max.
 - 4: INSULATION RESISTANCE: 100 MEGAOHMS Min.
 - 5: DIELECTRIC WITHSTANDING VOLTAGE: 500 VAC Min.
- MECHANICAL:
- 1: INSERTION FORCE: 3N-30N.
 - 2: WITHDRAWAL FORCE: 3N-30N.
 - 3: DURABILITY: 100 CYCLES.
- ENVIRONMENTAL:
- TEMPERATURE RANGE: -20°C TO 60°C.



PCB LAYOUT
TOP VIEW

SCHEMATIC

ANGLE	±5°
63 < L	±0.5
16 < L ≤ 63	±0.4
4 < L ≤ 16	±0.3
L ≤ 4	±0.2

TOL TABLE:

THIS DOCUMENT IS THE PROPERTY OF
TERPRO TECHNOLOGY CO., LTD. NO PART
THEREOF MAY BE REPRODUCED AND
USED WITHOUT THE PRIOR WRITTEN
CONSENT OF THE OWNER

MODEL NAME: RCA-813P
(PART NO.)

广东正宝科技有限公司
GUANGDONG TERPRO TECHNOLOGY CO., LTD.

DESIGN: X.H.Wang 10/12'18 TITLE: RCA PIN JACK

CHECKED: L.W.Wu 10/12'18 DWG NO.:

APPROVED: X.Q.Hu 10/12'18 UNIT: mm VIEW: SCALE: SHEET: REV.:
1/1 5:1 1/1 A

REV.	ECN NO.	MODIFIED MARK	APPROVED
A		FIRST RELEASE	