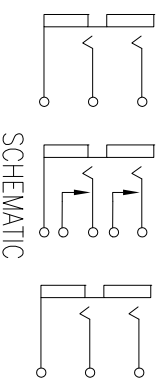
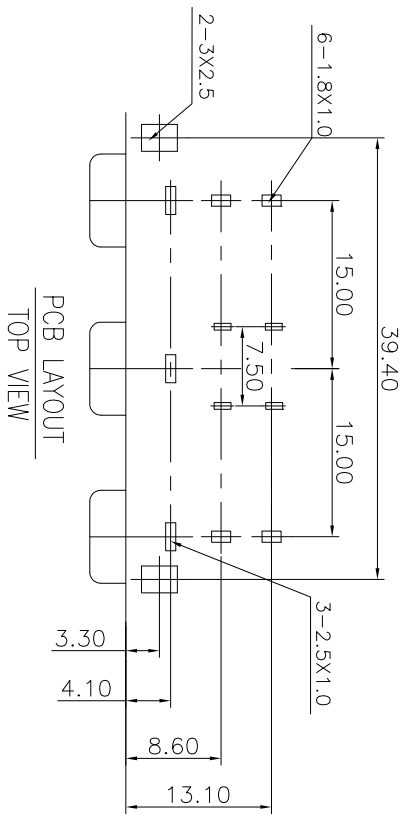
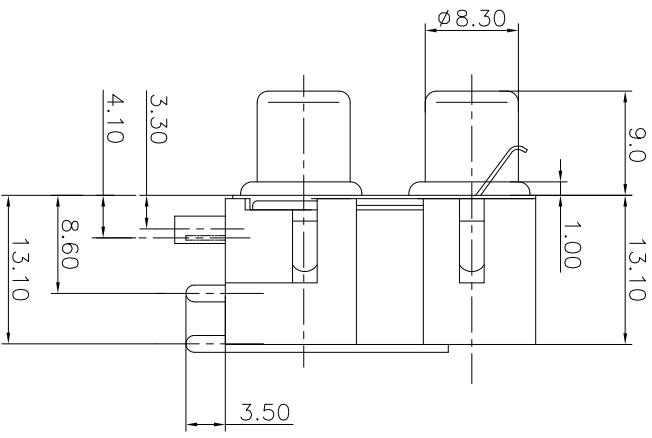
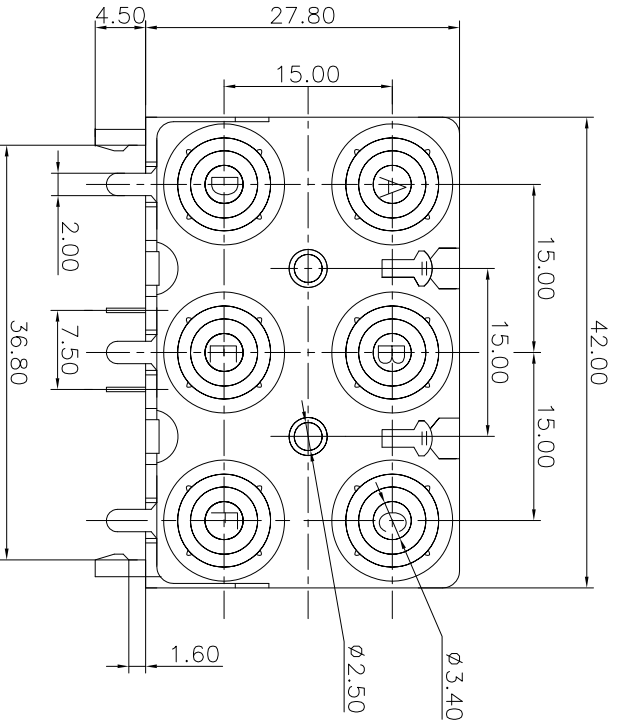
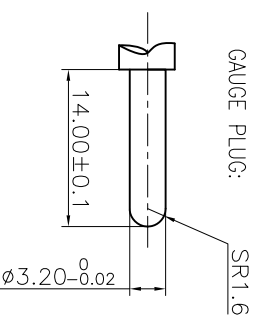


REV.	ECN NO.	MODIFIED MARK	APPROVED
A		FIRST RELEASE	



- NOTES:
- ELECTRICAL:
- 1: RATED CURRENT: 0.2A Max.
  - 2: RATED VOLTAGE: 50V AC.
  - 3: CONTACT RESISTANCE: 30 MILLIOHMS Max.
  - AFTER TESTING: 100 MILLIOHMS Max.
  - 4: INSULATION RESISTANCE: 100 MEGAOHMS Min.
  - 5: DIELECTRIC WITHSTANDING VOLTAGE: 500 VAC Min.
- MECHANICAL:
- 1: INSERTION FORCE: 3N-30N.
  - 2: WITHDRAWAL FORCE: 3N-30N.
  - 3: DURABILITY: 100 CYCLES.
- ENVIRONMENTAL:
- TEMPERATURE RANGE: -20°C TO 60°C.



ANGLE	±5°	MODEL NAME: RCA-623D/PD					
63 < L	±0.5	(PART NO.)					
16 < L ≤ 63	±0.4	DESIGN: X.H.Wang	11/24'18	TITLE: RCA PIN JACK			
4 < L ≤ 16	±0.3	CHECKED: L.W.Wu	11/24'18	DWG NO.:			
L ≤ 4	±0.2	MAT'L: See table		UNIT: mm	VIEW: 5:1	SHEET: 1/1	REV.: A
TOL TABLE:		FINISH: See table	APPROVED: X.Q.Hu	11/24'18			
THIS DOCUMENT IS THE PROPERTY OF TRENPRO TECHNOLOGY CO., LTD. NO PART THEREOF MAY BE REPRODUCED AND USED WITHOUT THE PRIOR WRITTEN CONSENT OF THE OWNER.							

广东正宝科技有限公司  
GUANGDONG TRENPRO TECHNOLOGY CO., LTD.