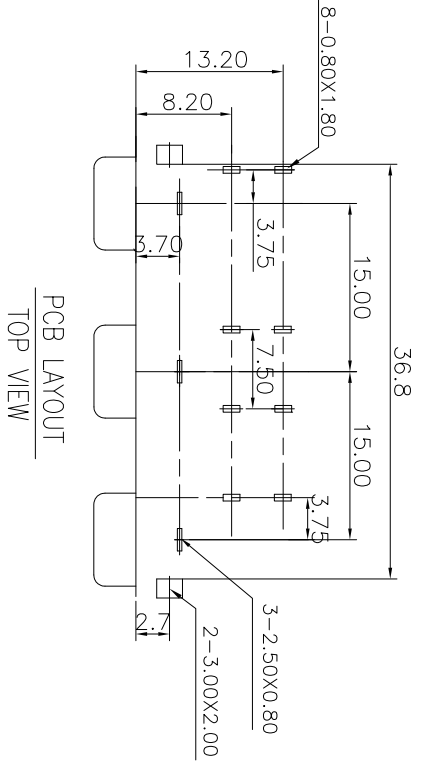
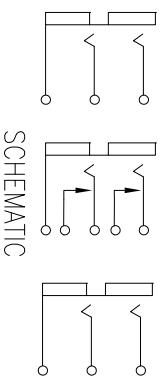
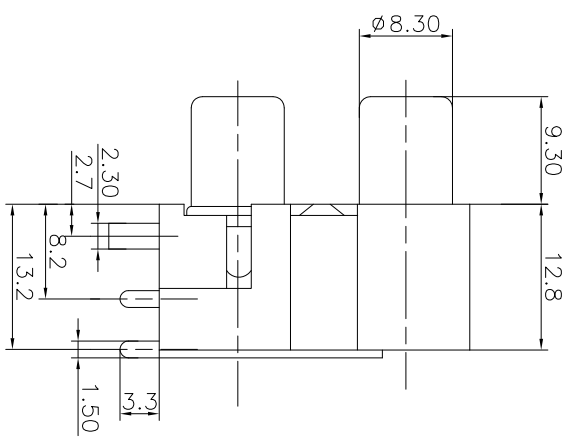
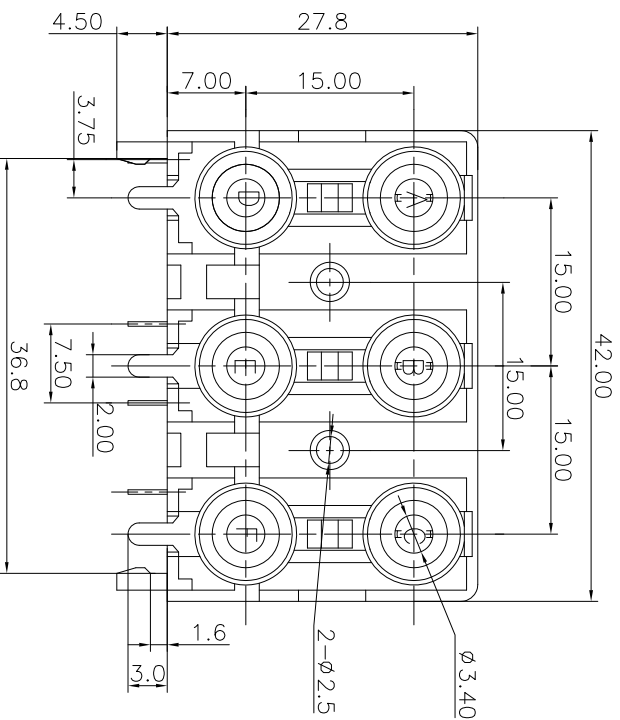
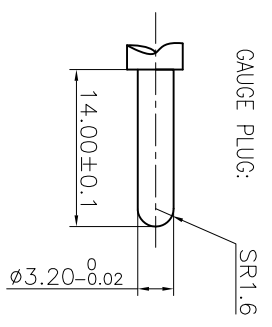


REV.	ECN NO.	MODIFIED MARK	APPROVED
A		FIRST RELEASE	



PCB LAYOUT  
TOP VIEW

- NOTES:
- ELECTRICAL:
- 1:RATED CURRENT: 0.2A Max.
  - 2:RATED VOLTAGE: 50V AC.
  - 3:CONTACT RESISTANCE: 30 MILLIOHMS Max.
  - 4:INSULATION RESISTANCE: 100 MEGAOHMS Min.
  - 5:DIELECTRIC WITHSTANDING VOLTAGE: 500 VAC Min.
- MECHANICAL:
- 1:INSERTION FORCE: 3N-30N.
  - 2:WITHDRAWAL FORCE: 3N-30N.
  - 3:DURRABILITY: 100 CYCLES.
- ENVIRONMENTAL:
- TEMPERATURE RANGE: -20°C TO 60°C.



ANGLE	±5°
63 < L	±0.5
16 < L ≤ 63	±0.4
4 < L ≤ 16	±0.3
L ≤ 4	±0.2

TOL TABLE:

THIS DOCUMENT IS THE PROPERTY OF  
TERPRO TECHNOLOGY CO., LTD.NO PART  
HEREOF MAY BE REPRODUCED AND  
USED WITHOUT THE PRIOR WRITTEN  
CONSENT OF THE OWNER

MODEL NAME: RCA-623D (PART NO.)		TITLE: RCA PIN JACK	
DESIGN: X.H.Wang 11/24'18		DWG NO.:	
CHECKED: L.W.Wu 11/24'18		REV.: A	
QTY: /	APPROVED: X.Q.Hu 11/24'18	UNIT: mm	SCALE: 5:1
FINISH: See table		VIEW:	SHEET: 1/1
GUANGDONG TERPRO TECHNOLOGY CO., LTD.		SIZE: A3	

广东正宝科技有限公司  
GUANGDONG TERPRO TECHNOLOGY CO., LTD.