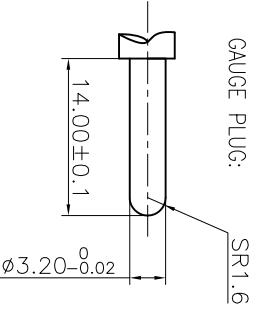
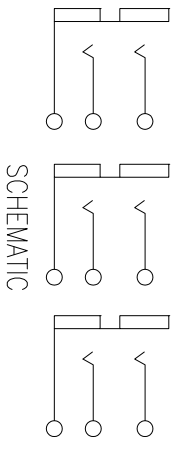
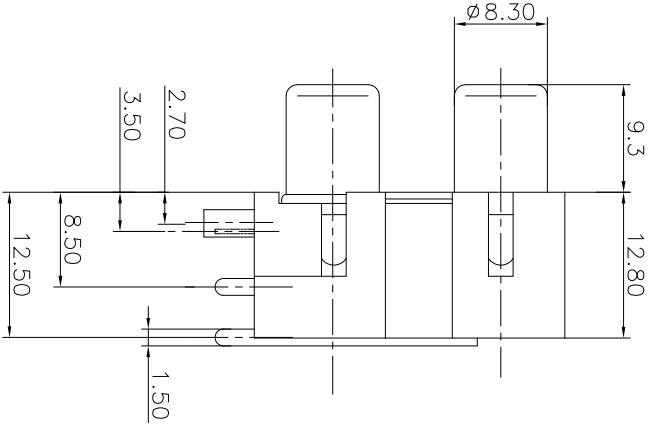
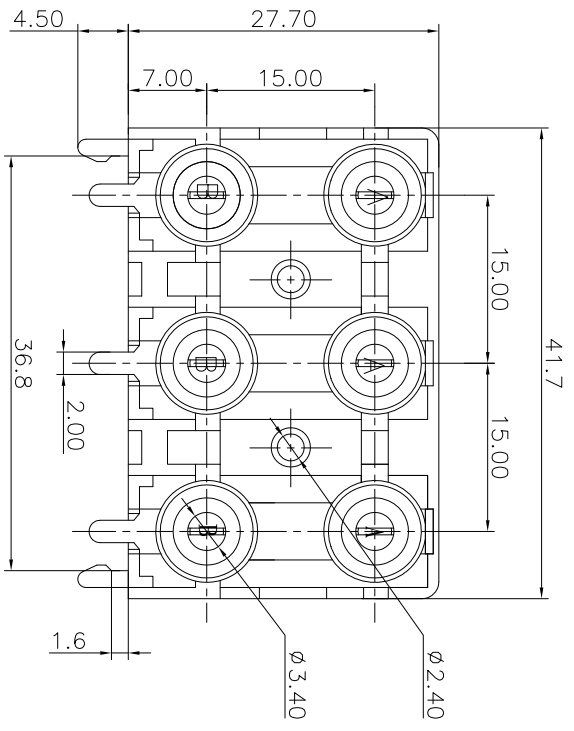


REV.	ECN NO.	MODIFIED MARK	APPROVED
A		FIRST RELEASE	



NOTES:

ELECTRICAL:

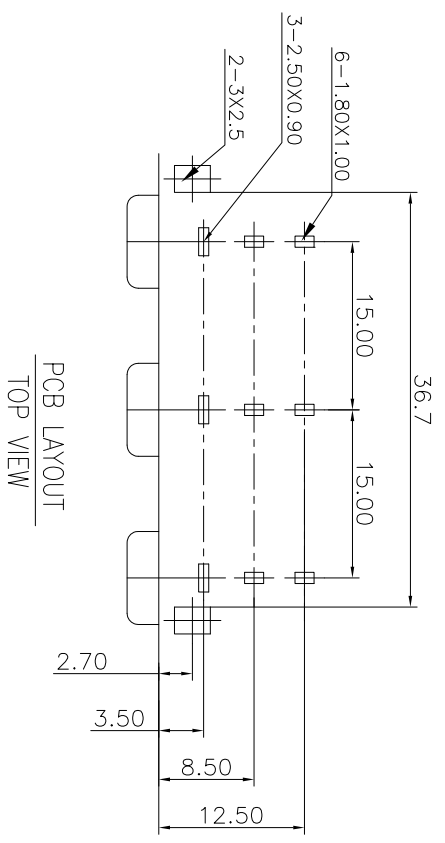
- 1: RATED CURRENT: 0.2A Max.
- 2: RATED VOLTAGE: 50V AC.
- 3: CONTACT RESISTANCE: 30 MILLIOHMS Max.
- 4: INSULATION RESISTANCE: 100 MEGAOHMS Min.
- 5: DIELECTRIC WITHSTANDING VOLTAGE: 500 VAC Min.

MECHANICAL:

- 1: INSERTION FORCE: 3N-30N.
- 2: WITHDRAWAL FORCE: 3N-30N.
- 3: DURABILITY: 100 CYCLES.

ENVIRONMENTAL:

TEMPERATURE RANGE: -20°C TO 60°C.



PCB LAYOUT
TOP VIEW

ANGLE	±5°
63 < L	±0.5
16 < L ≤ 63	±0.4
4 < L ≤ 16	±0.3
L ≤ 4	±0.2

TOL TABLE:

THIS DOCUMENT IS THE PROPERTY OF
TERPRO TECHNOLOGY CO., LTD. NO PART
HEREOF MAY BE REPRODUCED AND
USED WITHOUT THE PRIOR WRITTEN
CONSENT OF THE OWNER

MODEL NAME: RCA-623 (PART NO.)		TITLE: RCA PIN JACK	
DESIGN: X.H.Wang 11/24'18		DWG NO.:	
CHECKED: L.W.Wu 11/24'18		REV.: A	
FINISH: See table	QTY: /	UNIT: mm	VIEW: 5:1
APPROVED: X.Q.Hu 11/24'18	SCALE: SHEET: 1/1	SIZE: A3	

广东正宝科技有限公司
GUANGDONG TERPRO TECHNOLOGY CO., LTD.