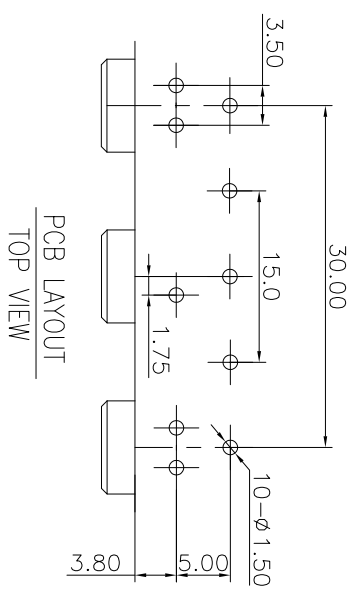
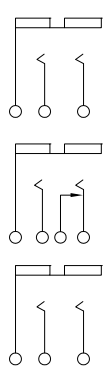
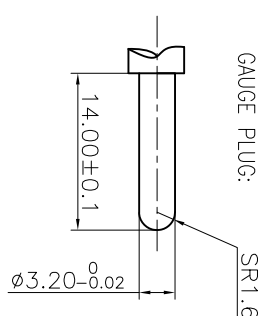
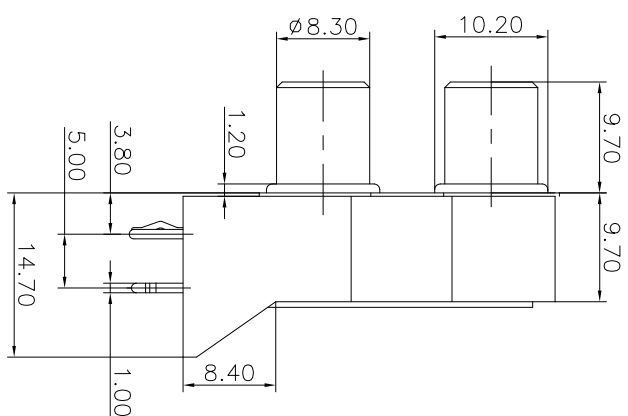
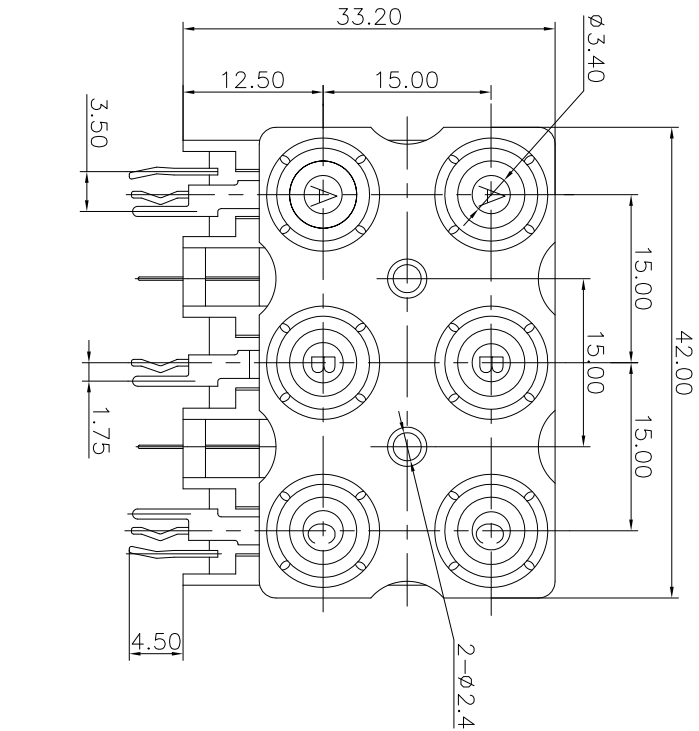


REV.	ECN NO.	MODIFIED MARK	APPROVED
A		FIRST RELEASE	

NOTES:  
 ELECTRICAL:  
 1: RATED CURRENT: 0.2A Max.  
 2: RATED VOLTAGE: 50V AC.  
 3: CONTACT RESISTANCE: 30 MILLIOHMS Max.  
 AFTER TESTING: 100 MILLIOHMS Max.  
 4: INSULATION RESISTANCE: 100 MEGAOHMS Min.  
 5: DIELECTRIC WITHSTANDING VOLTAGE: 500 VAC Min.

MECHANICAL:  
 1: INSERTION FORCE: 3N-30N.  
 2: WITHDRAWAL FORCE: 3N-30N.  
 3: DURABILITY: 100 CYCLES.  
 ENVIRONMENTAL:  
 TEMPERATURE RANGE: -20°C TO 60°C.



1	2	3	4	5	6	7	8																																		
<table border="1"> <tr> <td>ANGLE</td> <td>±5°</td> </tr> <tr> <td>63 &lt; L</td> <td>±0.5</td> </tr> <tr> <td>16 &lt; L ≤ 63</td> <td>±0.4</td> </tr> <tr> <td>4 &lt; L ≤ 16</td> <td>±0.3</td> </tr> <tr> <td>L ≤ 4</td> <td>±0.2</td> </tr> </table>				ANGLE	±5°	63 < L	±0.5	16 < L ≤ 63	±0.4	4 < L ≤ 16	±0.3	L ≤ 4	±0.2	<table border="1"> <tr> <td>MODEL NAME:</td> <td>RCA-620P</td> </tr> <tr> <td>(PART NO.)</td> <td></td> </tr> <tr> <td>DESIGN:</td> <td>X.H.Wang 11/24'18</td> </tr> <tr> <td>CHECKED:</td> <td>L.W.Wu 11/24'18</td> </tr> <tr> <td>APPROVED:</td> <td>X.Q.Hu 11/24'18</td> </tr> </table>				MODEL NAME:	RCA-620P	(PART NO.)		DESIGN:	X.H.Wang 11/24'18	CHECKED:	L.W.Wu 11/24'18	APPROVED:	X.Q.Hu 11/24'18	<table border="1"> <tr> <td>UNIT:</td> <td>mm</td> </tr> <tr> <td>VIEW:</td> <td></td> </tr> <tr> <td>SCALE:</td> <td>5:1</td> </tr> <tr> <td>SHEET:</td> <td>1/1</td> </tr> <tr> <td>SIZE:</td> <td>A3</td> </tr> </table>				UNIT:	mm	VIEW:		SCALE:	5:1	SHEET:	1/1	SIZE:	A3
ANGLE	±5°																																								
63 < L	±0.5																																								
16 < L ≤ 63	±0.4																																								
4 < L ≤ 16	±0.3																																								
L ≤ 4	±0.2																																								
MODEL NAME:	RCA-620P																																								
(PART NO.)																																									
DESIGN:	X.H.Wang 11/24'18																																								
CHECKED:	L.W.Wu 11/24'18																																								
APPROVED:	X.Q.Hu 11/24'18																																								
UNIT:	mm																																								
VIEW:																																									
SCALE:	5:1																																								
SHEET:	1/1																																								
SIZE:	A3																																								
<p>TOL TABLE:</p> <p>THIS DOCUMENT IS THE PROPERTY OF TERPRO TECHNOLOGY CO., LTD. NO PART THEREOF MAY BE REPRODUCED AND USED WITHOUT THE PRIOR WRITTEN CONSENT OF THE OWNER</p>				<p>GAUGE PLUG: SR1.6</p>				<p>SCHEMATIC</p>																																	
<p>PCB LAYOUT TOP VIEW</p>				<p>MODEL NAME: RCA-620P (PART NO.)</p>				<p>DESIGN: X.H.Wang 11/24'18</p>																																	
<p>ANGLE ±5°</p>				<p>63 &lt; L ±0.5</p>				<p>16 &lt; L ≤ 63 ±0.4</p>																																	
<p>4 &lt; L ≤ 16 ±0.3</p>				<p>L ≤ 4 ±0.2</p>				<p>FINISH: See table</p>																																	
<p>QTY: /</p>				<p>APPROVED: X.Q.Hu 11/24'18</p>				<p>UNIT: mm</p>																																	
<p>VIEW:</p>				<p>SCALE: 5:1</p>				<p>SHEET: 1/1</p>																																	
<p>SIZE: A3</p>				<p>REV.: A</p>				<p>APPROVED:</p>																																	

广东正宝科技有限公司  
 GUANGDONG TERPRO TECHNOLOGY CO., LTD.

TITLE: RCA PIN JACK

DWG NO.:

REV.: A