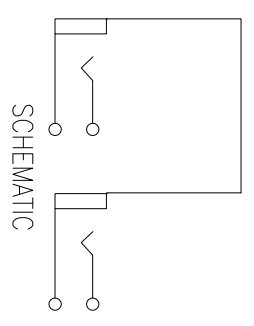
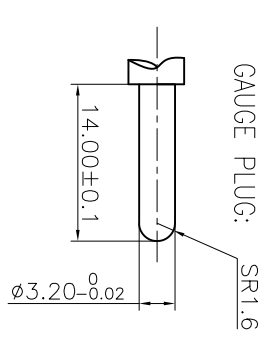
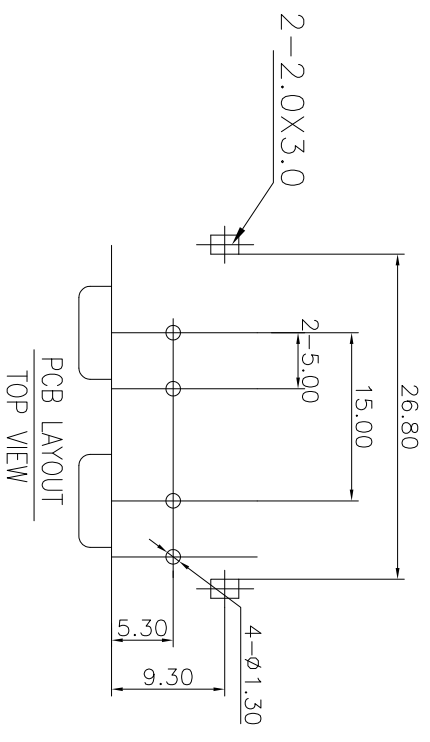
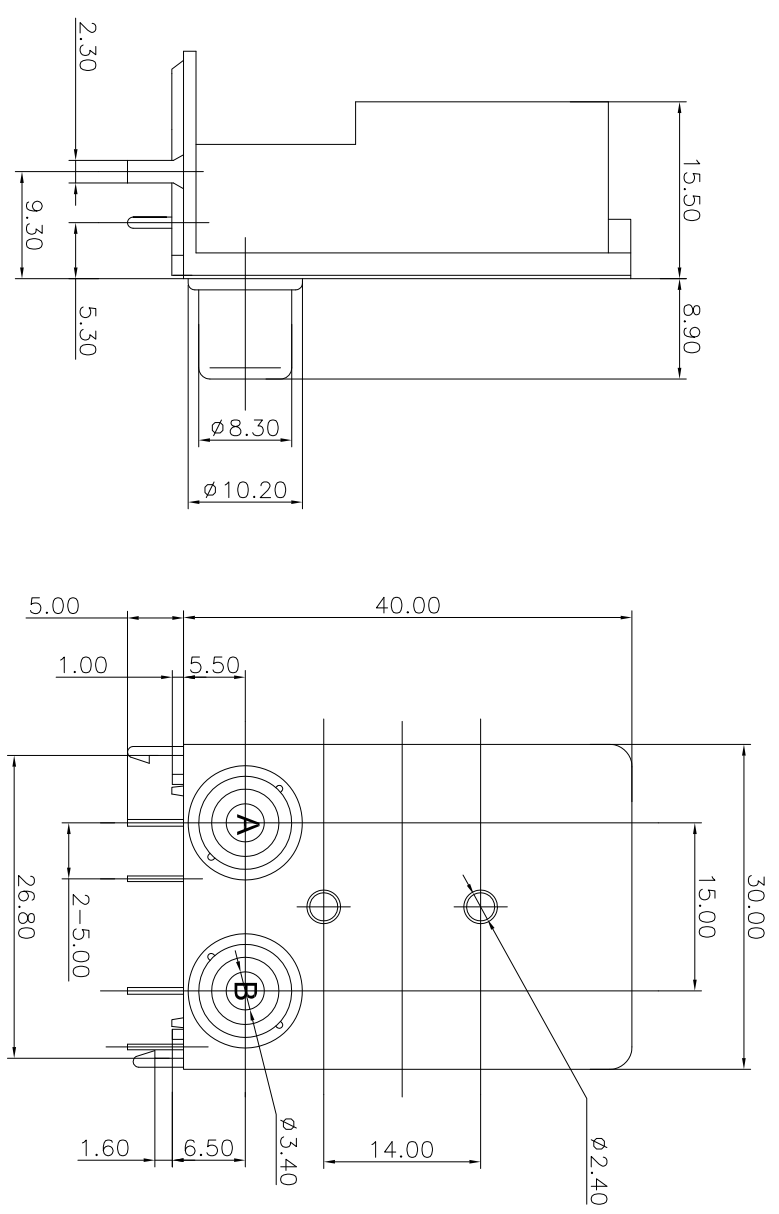


REV.	ECN NO.	MODIFIED MARK	APPROVED
A		FIRST RELEASE	



- NOTES:
- ELECTRICAL:
- 1:RATED CURRENT: 0.2A Max.
 - 2:RATED VOLTAGE: 50V AC.
 - 3:CONTACT RESISTANCE: 30 MILLIOHMS Max.
 - 4:INSULATION RESISTANCE: 100 MEGAOHMS Min.
 - 5:DIELECTRIC WITHSTANDING VOLTAGE: 500 VAC Min.
- MECHANICAL:
- 1:INSERTION FORCE: 3N-30N.
 - 2:WITHDRAWAL FORCE: 3N-30N.
 - 3:DURABILITY: 100 CYCLES.
- ENVIRONMENTAL:
- TEMPERATURE RANGE: -20°C TO 60°C.

ANGLE	±5°	MODEL NAME: RCA-617C/P	 广东正宝科技有限公司 GUANGDONG TRENPRO TECHNOLOGY CO., LTD.	TITLE:	RCA PIN JACK	REV.:	A			
63 < L	±0.5	(PART NO.)		MAT'L:	See table	UNIT:	mm	VIEW:	SCALE: 5:1	SHEET: 1/1
16 < L ≤ 63	±0.4		FINISH:	See table	QTY./:		APPROVED:	X.Q.Hu 11/24'18		
4 < L ≤ 16	±0.3						CHECKED:	L.W.Wu 11/24'18		
L ≤ 4	±0.2						DESIGN:	X.H.Wang 11/24'18		
TOL TABLE:		THIS DOCUMENT IS THE PROPERTY OF TRENPRO TECHNOLOGY CO., LTD.NO PART THEREOF MAY BE REPRODUCED AND USED WITHOUT THE PRIOR WRITTEN CONSENT OF THE OWNER								