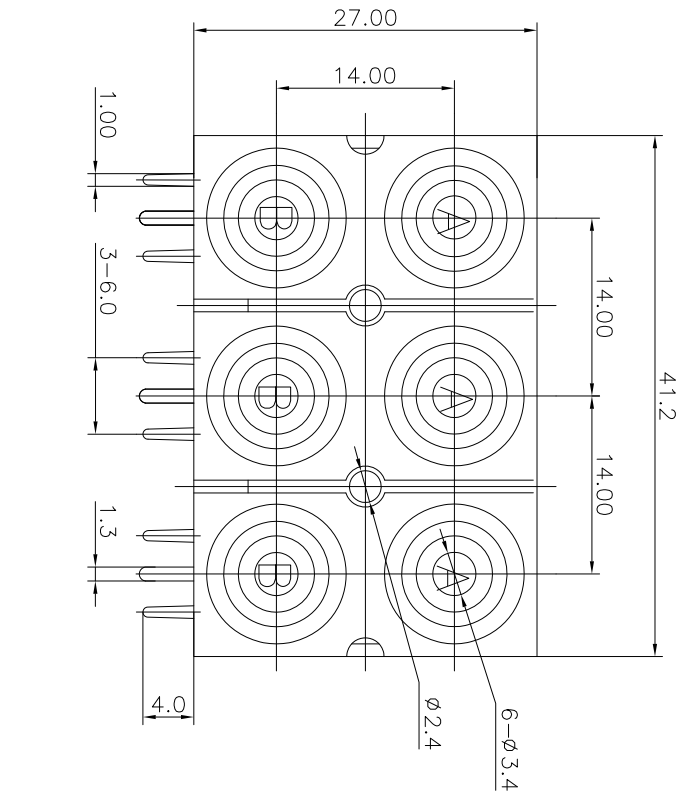
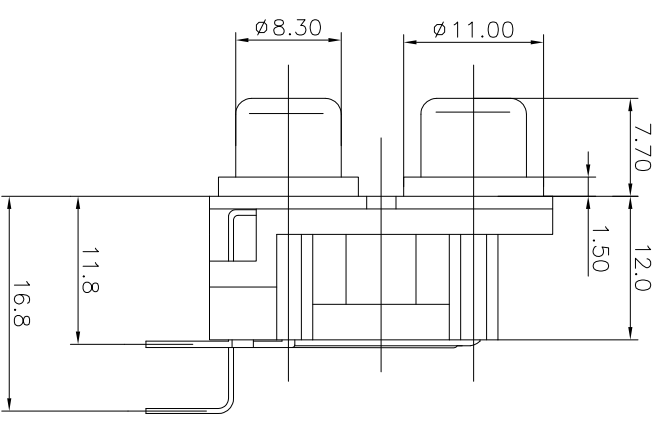
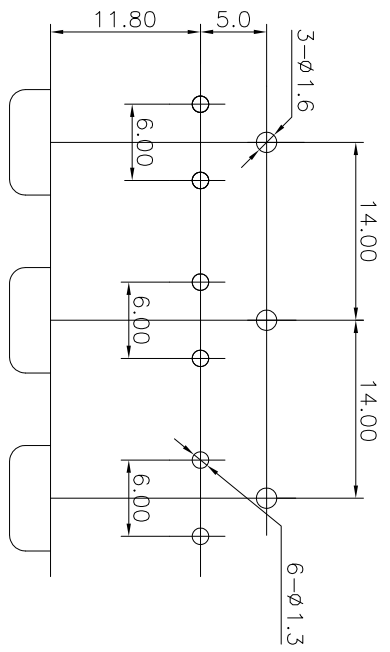


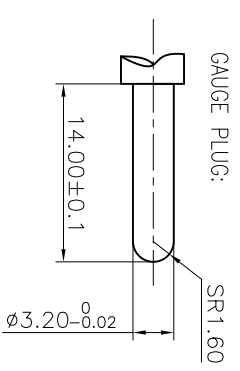
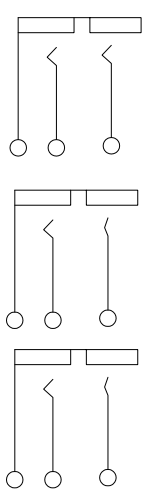
REV.	ECN NO.	MODIFIED MARK	APPROVED
A		FIRST RELEASE	



PCB LAYOUT  
TOP VIEW



SCHEMATIC



GAUGE PLUG:

- NOTES:
- ELECTRICAL:
- 1:RATED CURRENT: 0.2A Max.
  - 2:RATED VOLTAGE: 50V AC.
  - 3:CONTACT RESISTANCE: 30 MIILOHMS Max. AFTER TESTING:100 MIILOHMS Max.
  - 4:INSULATION RESISTANCE: 100 MEGAOHMS Min.
  - 5:DIELECTRIC WITHSTANDING VOLTAGE: 500 VAC Min.
- MECHANICAL:
- 1:INSERTION FORCE: 3N-30N.
  - 2:WITHDRAWAL FORCE: 3N-30N.
  - 3:DURRABILITY: 100 CYCLES.
- ENVIRONMENTAL:
- TEMPERATURE RANGE: -20°C TO 60°C.

ANGLE	±5°	MODEL NAME: RCA-611	 广东正宝科技有限公司 GUANGDONG TRENPRO TECHNOLOGY CO., LTD.
63 < L	±0.5	(PART NO.)	
16 < L ≤ 63	±0.4		
4 < L ≤ 16	±0.3		
L ≤ 4	±0.2		
TOL TABLE:		MAT'L: See table	TITLE: RCA PIN JACK
THIS DOCUMENT IS THE PROPERTY OF TRENPRO TECHNOLOGY CO., LTD. NO PART THEREOF MAY BE REPRODUCED AND USED WITHOUT THE PRIOR WRITTEN CONSENT OF THE OWNER		FINISH: See table	DESIGN: Z.F.Lion 11/29'18
		CHECKED: L.W.Wu 11/29'18	DWG NO.:
		APPROVED: X.Q.Hu 11/29'18	UNIT: mm
			VIEW:
			SCALE: 5:1
			SHEET: 1/1
			SIZE: A3
			REV.: A