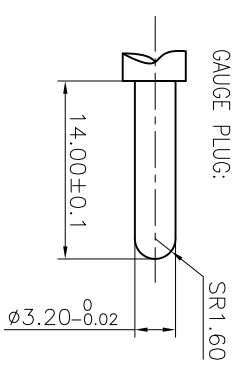
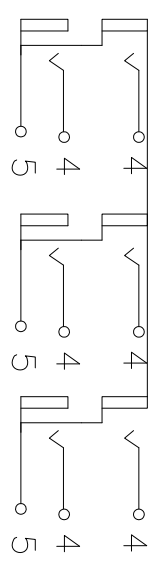
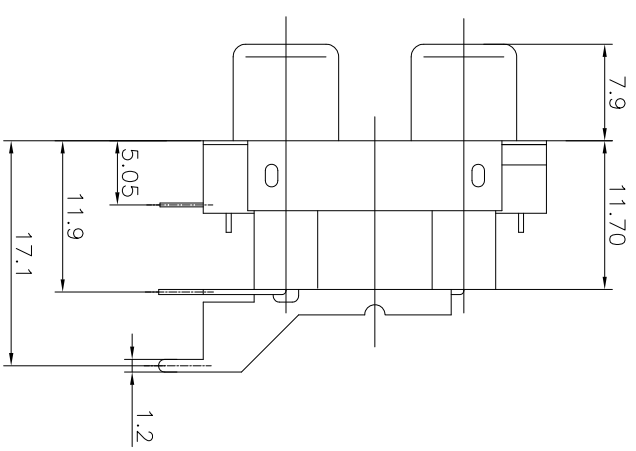
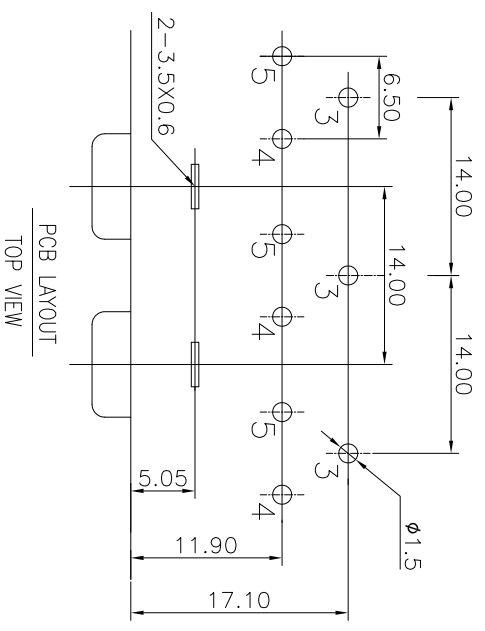
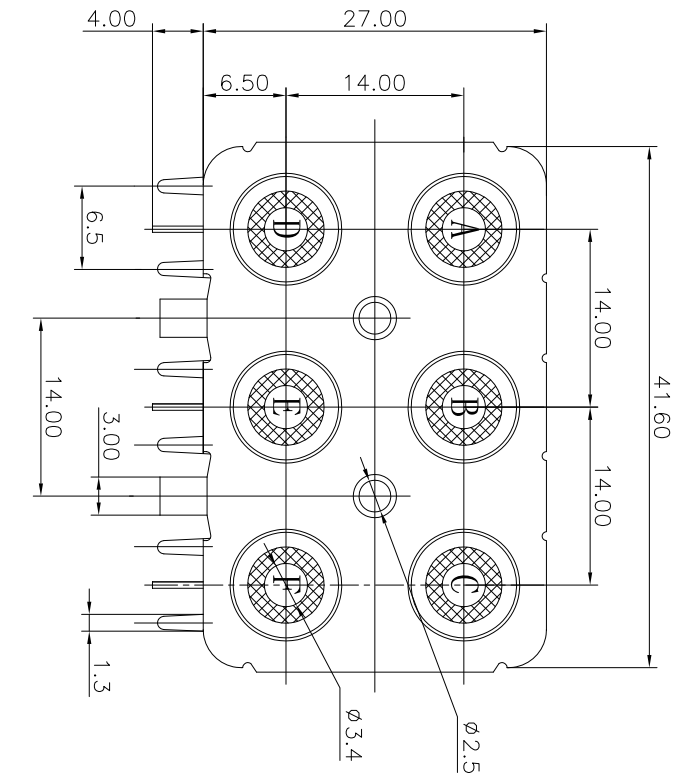


REV.	ECN NO.	MODIFIED MARK	APPROVED
A		FIRST RELEASE	



- NOTES:
- ELECTRICAL:
- 1: RATED CURRENT: 0.2A Max.
 - 2: RATED VOLTAGE: 50V AC.
 - 3: CONTACT RESISTANCE: 30 MILLIOHMS Max. AFTER TESTING: 100 MILLIOHMS Max.
 - 4: INSULATION RESISTANCE: 100 MEGAOHMS Min.
 - 5: DIELECTRIC WITHSTANDING VOLTAGE: 500 VAC Min.
- MECHANICAL:
- 1: INSERTION FORCE: 3N-30N.
 - 2: WITHDRAWAL FORCE: 3N-30N.
 - 3: DURABILITY: 100 CYCLES.
- ENVIRONMENTAL:
- TEMPERATURE RANGE: -20°C TO 60°C.

ANGLE	±5°	MODEL NAME: RCA-607PC	 广东正宝科技有限公司 GUANGDONG TRENPPO TECHNOLOGY CO., LTD.
63 < L	±0.5	(PART NO.)	
16 < L ≤ 63	±0.4	DESIGN: Z.F.Lion	TITLE: RCA PIN JACK
4 < L ≤ 16	±0.3	CHECKED: L.W.Wu	DWG NO.:
L ≤ 4	±0.2	See table	UNIT: mm
TOL TABLE:		See table	VIEW: 5:1
THIS DOCUMENT IS THE PROPERTY OF		Q'TY: /	SCALE: SHEET: 1/1
TRENPPO TECHNOLOGY CO., LTD. NO PART		APPROVED: X.Q.Hu	DATE: 11/29/18
HEREOF MAY BE REPRODUCED AND		DATE: 11/29/18	REV.: A
USED WITHOUT THE PRIOR WRITTEN		DATE: 11/29/18	SIZE: A3
CONSENT OF THE OWNER		DATE: 11/29/18	