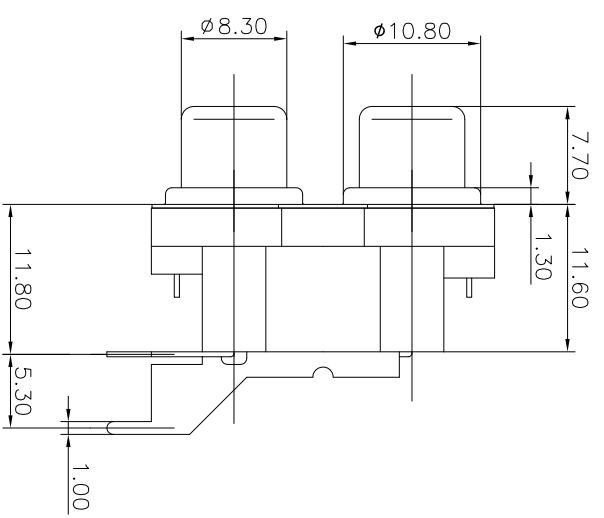
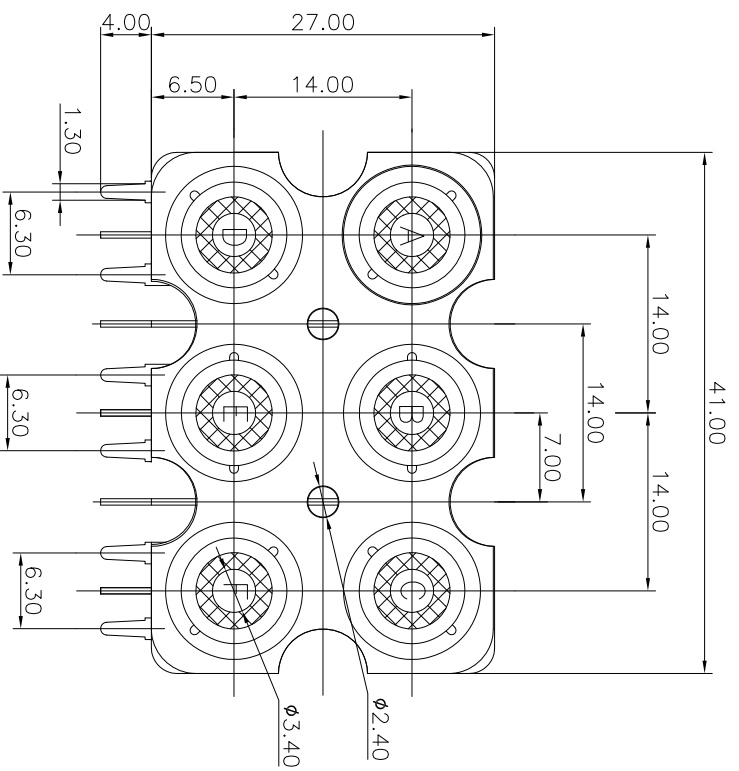
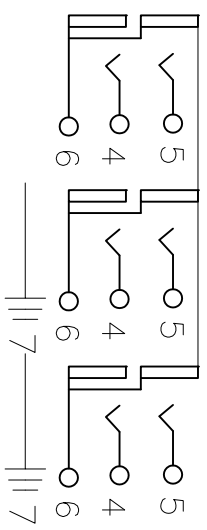


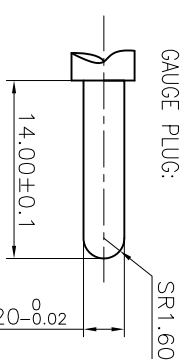
REV.	ECN NO.	MODIFIED MARK	APPROVED
A		FIRST RELEASE	



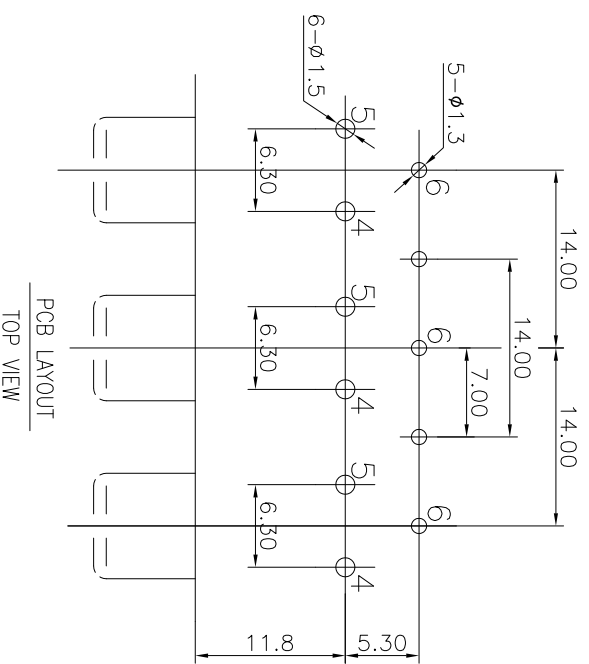
- NOTES:
- ELECTRICAL:
- 1: RATED CURRENT: 0.2A Max.
 - 2: RATED VOLTAGE: 50V AC.
 - 3: CONTACT RESISTANCE: 30 MILLIOHMS Max.
 - 4: INSULATION RESISTANCE: 100 MEGAOHMS Max.
 - 5: DIELECTRIC WITHSTANDING VOLTAGE: 500 VAC Min.
- MECHANICAL:
- 1: INSERTION FORCE: 3N-30N.
 - 2: WITHDRAWAL FORCE: 3N-30N.
 - 3: DURABILITY: 100 CYCLES.
- ENVIRONMENTAL:
- TEMPERATURE RANGE: -20°C TO 60°C.




SCHEMATIC



GAUGE PLUG:



PCB LAYOUT
TOP VIEW

ANGLE	±5°	MODEL NAME: RCA-607P/E	 广东正宝科技有限公司 GUANGDONG TERAPRO TECHNOLOGY CO., LTD.
63 < L	±0.5	(PART NO.)	
16 < L ≤ 63	±0.4		
4 < L ≤ 16	±0.3	MAT'L:	DESIGN: Z.F.Lion 11/29'18
L ≤ 4	±0.2	FINISH:	CHECKED: L.W.Wu 11/29'18
TOL TABLE:		See table	TITLE: RCA PIN JACK
THIS DOCUMENT IS THE PROPERTY OF TERAPRO TECHNOLOGY CO., LTD. NO PART THEREOF MAY BE REPRODUCED AND USED WITHOUT THE PRIOR WRITTEN CONSENT OF THE OWNER		Q'TY: /	APPROVED: X.Q.Hu 11/29'18
		UNIT: mm	DWG NO.:
		VIEW: 5:1	SCALE: SHEET: 1/1
			REV.: A
			SIZE: A3