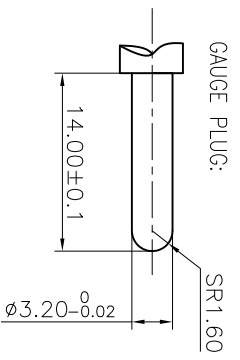
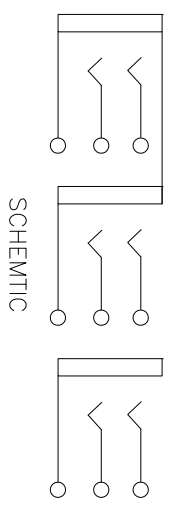
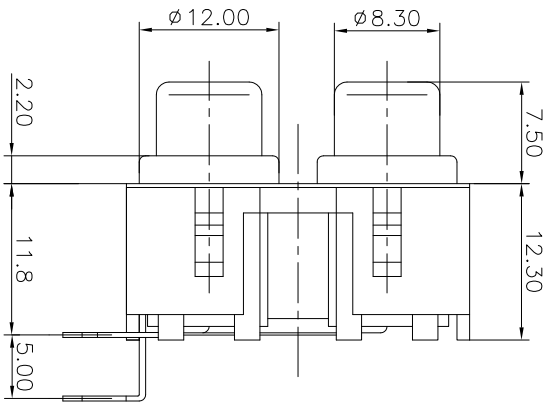
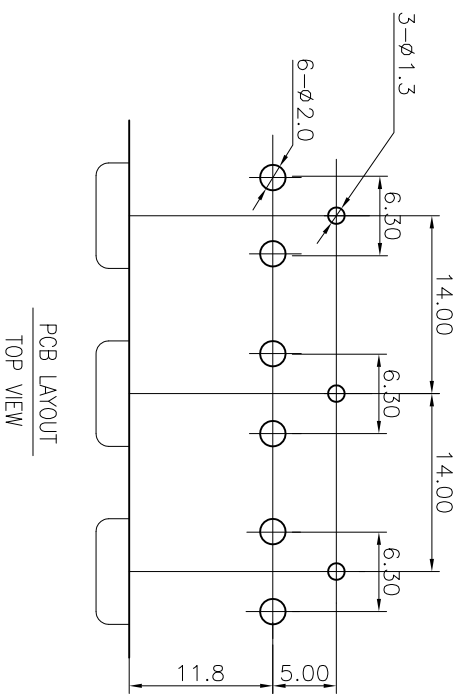
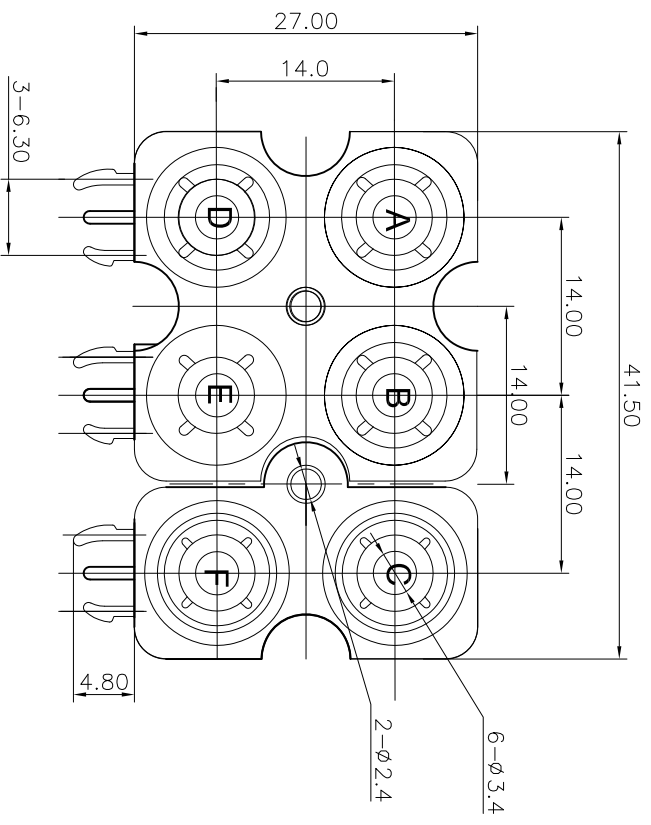


REV.	ECN NO.	MODIFIED MARK	APPROVED
A		FIRST RELEASE	



NOTES:

ELECTRICAL:

- 1: RATED CURRENT: 0.2A Max.
- 2: RATED VOLTAGE: 50V AC.
- 3: CONTACT RESISTANCE: 30 MILLIOHMS Max.
- 4: INSULATION RESISTANCE: 100 MEGAOHMS Min.
- 5: DIELECTRIC WITHSTANDING VOLTAGE: 500 VAC Min.

MECHANICAL:

- 1: INSERTION FORCE: 3N-30N.
- 2: WITHDRAWAL FORCE: 3N-30N.
- 3: DURABILITY: 100 CYCLES.

ENVIRONMENTAL:

TEMPERATURE RANGE: -20°C TO 60°C.

ANGLE	±5°	MODEL NAME: RCA-606P					
63 < L	±0.5	(PART NO.)					
16 < L ≤ 63	±0.4						
4 < L ≤ 16	±0.3	MAT'L:	DESIGN: Z.F.Lion	11/29'18	TITLE:	RCA PIN JACK	REV.: A
L ≤ 4	±0.2	FINISH:	CHECKED: L.W.Wu	11/29'18	DWG NO.:		
TOL TABLE:		See table	Q'TY: /	APPROVED: X.Q.Hu	11/29'18	UNIT: mm	VIEW: 5:1
THIS DOCUMENT IS THE PROPERTY OF TRENPRO TECHNOLOGY CO., LTD. NO PART THEREOF MAY BE REPRODUCED AND USED WITHOUT THE PRIOR WRITTEN CONSENT OF THE OWNER		See table					SCALE: SHEET: 1/1
							SIZE: A3

ANGLE	±5°	MODEL NAME: RCA-606P					
63 < L	±0.5	(PART NO.)					
16 < L ≤ 63	±0.4						
4 < L ≤ 16	±0.3	MAT'L:	DESIGN: Z.F.Lion	11/29'18	TITLE:	RCA PIN JACK	REV.: A
L ≤ 4	±0.2	FINISH:	CHECKED: L.W.Wu	11/29'18	DWG NO.:		
TOL TABLE:		See table	Q'TY: /	APPROVED: X.Q.Hu	11/29'18	UNIT: mm	VIEW: 5:1
THIS DOCUMENT IS THE PROPERTY OF TRENPRO TECHNOLOGY CO., LTD. NO PART THEREOF MAY BE REPRODUCED AND USED WITHOUT THE PRIOR WRITTEN CONSENT OF THE OWNER		See table					SCALE: SHEET: 1/1
							SIZE: A3

PCB LAYOUT
TOP VIEW

GAUGE PLUG: SRT1.60

NOTES:

ELECTRICAL:

- 1: RATED CURRENT: 0.2A Max.
- 2: RATED VOLTAGE: 50V AC.
- 3: CONTACT RESISTANCE: 30 MILLIOHMS Max.
- 4: INSULATION RESISTANCE: 100 MEGAOHMS Min.
- 5: DIELECTRIC WITHSTANDING VOLTAGE: 500 VAC Min.

MECHANICAL:

- 1: INSERTION FORCE: 3N-30N.
- 2: WITHDRAWAL FORCE: 3N-30N.
- 3: DURABILITY: 100 CYCLES.

ENVIRONMENTAL:

TEMPERATURE RANGE: -20°C TO 60°C.

REV. ECN NO. MODIFIED MARK APPROVED

A FIRST RELEASE

PCB LAYOUT
TOP VIEW

GAUGE PLUG: SRT1.60

NOTES:

ELECTRICAL:

- 1: RATED CURRENT: 0.2A Max.
- 2: RATED VOLTAGE: 50V AC.
- 3: CONTACT RESISTANCE: 30 MILLIOHMS Max.
- 4: INSULATION RESISTANCE: 100 MEGAOHMS Min.
- 5: DIELECTRIC WITHSTANDING VOLTAGE: 500 VAC Min.

MECHANICAL:

- 1: INSERTION FORCE: 3N-30N.
- 2: WITHDRAWAL FORCE: 3N-30N.
- 3: DURABILITY: 100 CYCLES.

ENVIRONMENTAL:

TEMPERATURE RANGE: -20°C TO 60°C.

REV. ECN NO. MODIFIED MARK APPROVED

A FIRST RELEASE

PCB LAYOUT
TOP VIEW

GAUGE PLUG: SRT1.60

NOTES:

ELECTRICAL:

- 1: RATED CURRENT: 0.2A Max.
- 2: RATED VOLTAGE: 50V AC.
- 3: CONTACT RESISTANCE: 30 MILLIOHMS Max.
- 4: INSULATION RESISTANCE: 100 MEGAOHMS Min.
- 5: DIELECTRIC WITHSTANDING VOLTAGE: 500 VAC Min.

MECHANICAL:

- 1: INSERTION FORCE: 3N-30N.
- 2: WITHDRAWAL FORCE: 3N-30N.
- 3: DURABILITY: 100 CYCLES.

ENVIRONMENTAL:

TEMPERATURE RANGE: -20°C TO 60°C.

REV. ECN NO. MODIFIED MARK APPROVED

A FIRST RELEASE