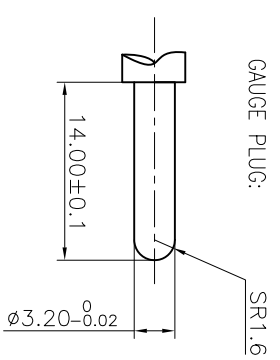
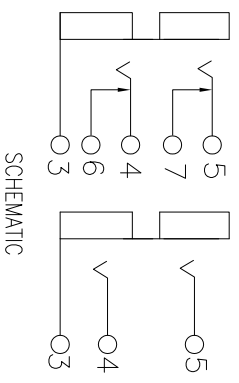
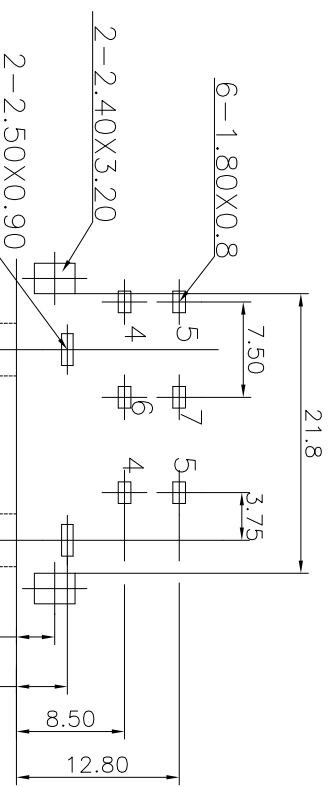
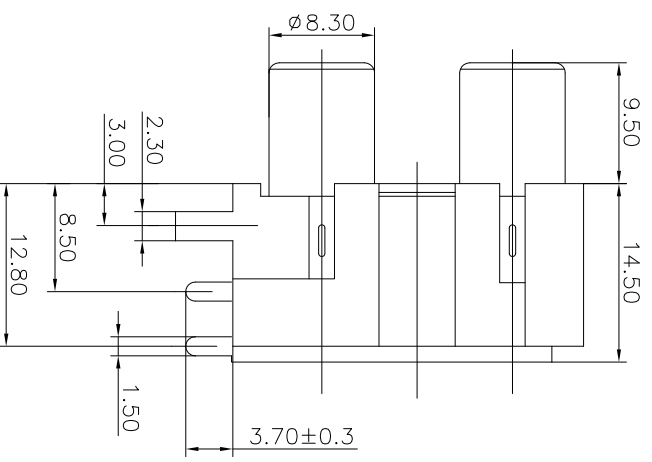
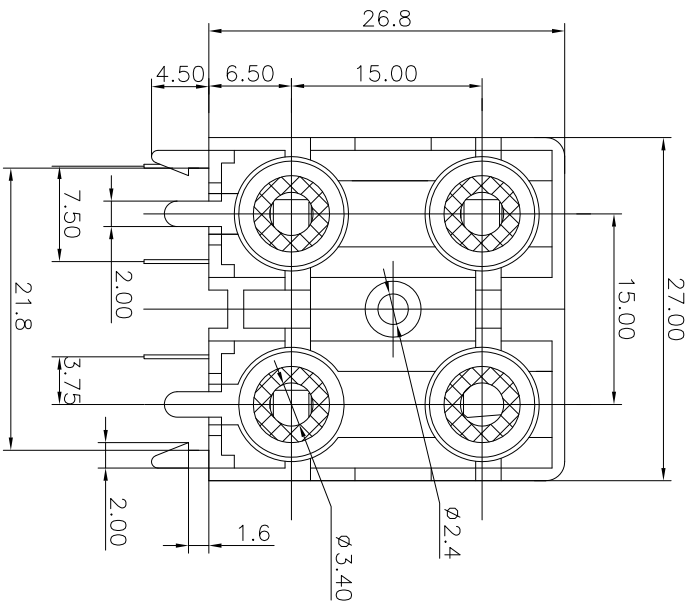


REV.	ECN NO.	MODIFIED MARK	APPROVED
A		FIRST RELEASE	



- NOTES:
- ELECTRICAL:
- 1: RATED CURRENT: 0.2A Max.
 - 2: RATED VOLTAGE: 50V AC.
 - 3: CONTACT RESISTANCE: 30 MILLIOHMS Max.
 - AFTER TESTING: 100 MILLIOHMS Max.
 - 4: INSULATION RESISTANCE: 100 MEGAOHMS Min.
 - 5: DIELECTRIC WITHSTANDING VOLTAGE: 500 VAC Min.
- MECHANICAL:
- 1: INSERTION FORCE: 3N-30N.
 - 2: WITHDRAWAL FORCE: 3N-30N.
 - 3: DURABILITY: 100 CYCLES.
- ENVIRONMENTAL:
- TEMPERATURE RANGE: -20°C TO 60°C.

PCB LAYOUT
TOP VIEW

SCHEMATIC

GAUGE PLUG: SR1.6

ANGLE	±5°	MODEL NAME: RCA-415D (PART NO.)	<p>广东正宝科技有限公司 GUANGDONG TRENPRO TECHNOLOGY CO., LTD.</p>	TITLE: RCA PIN JACK	REV.: A
63 < L	±0.5	MAT'L: See table		DWG NO.:	SIZE: A3
16 < L ≤ 63	±0.4	FINISH: See table	CHECKED: L.W.Wu 11/15'18	VIEW: 5:1	SHEET: 1/1
4 < L ≤ 16	±0.3	Q'TY: /	DESIGN: X.H.Wang 11/15'18	SCALE: 5:1	UNIT: mm
L ≤ 4	±0.2	APPROVED: X.Q.Hu 11/15'18	CHECKED: L.W.Wu 11/15'18	SCALE: 5:1	UNIT: mm
TOL TABLE:					
THIS DOCUMENT IS THE PROPERTY OF TRENPRO TECHNOLOGY CO., LTD. NO PART THEREOF MAY BE REPRODUCED AND USED WITHOUT THE PRIOR WRITTEN CONSENT OF THE OWNER.					