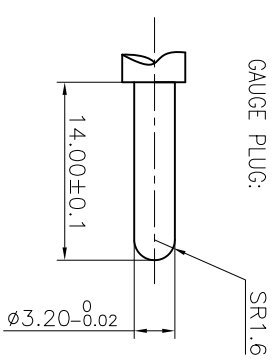
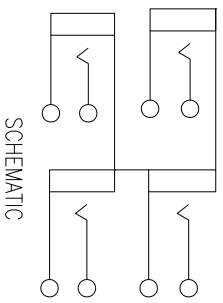
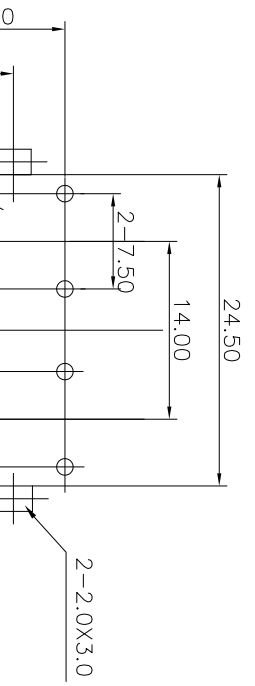
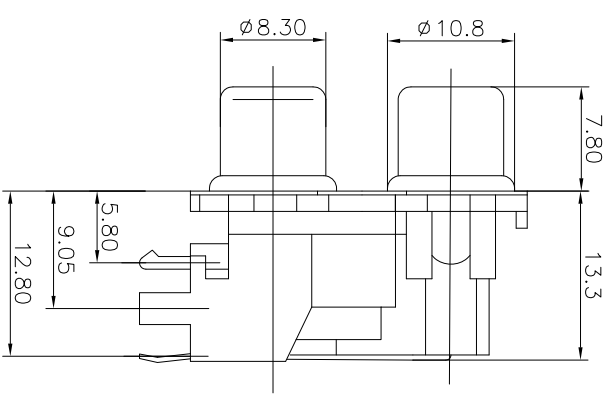
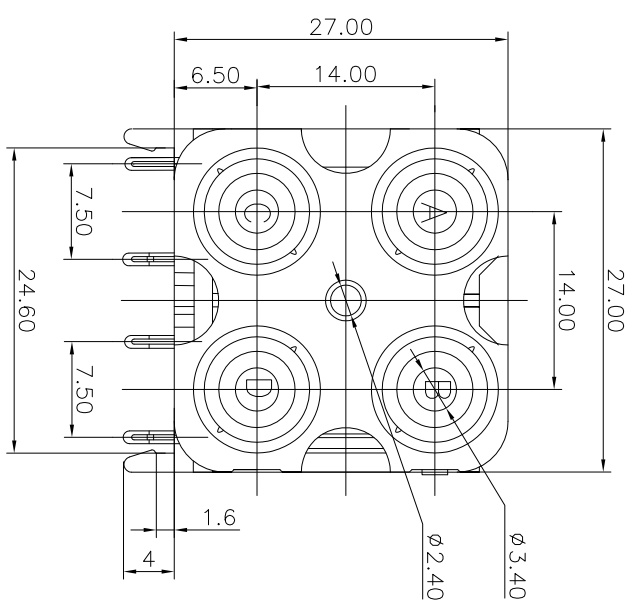


| | | | |
|------|---------|---------------|----------|
| REV. | ECN NO. | MODIFIED MARK | APPROVED |
| A | | FIRST RELEASE | |



NOTES:
 ELECTRICAL:
 1:RATED CURRENT: 0.2A Max.
 2:RATED VOLTAGE: 50V AC.
 3:CONTACT RESISTANCE: 30 MILLIOHMS Max.
 AFTER TESTING:100 MILLIOHMS Max.
 4:INSULATION RESISTANCE: 100 MEGAOHMS Min.
 5:DIELECTRIC WITHSTANDING VOLTAGE: 500 VAC Min.
 MECHANICAL:
 1:INSERTION FORCE: 3N-30N.
 2:WITHDRAWAL FORCE: 3N-30N.
 3:DURABILITY: 100 CYCLES.
 ENVIRONMENTAL:
 TEMPERATURE RANGE: -20°C TO 60°C.

| | |
|-------------|------|
| ANGLE | ±5° |
| 63 < L | ±0.5 |
| 16 < L ≤ 63 | ±0.4 |
| 4 < L ≤ 16 | ±0.3 |
| L ≤ 4 | ±0.2 |

| | |
|---|---------------------|
| TOL TABLE: | |
| THIS DOCUMENT IS THE PROPERTY OF TERPRO TECHNOLOGY CO., LTD.NO PART THEREOF MAY BE REPRODUCED AND USED WITHOUT THE PRIOR WRITTEN CONSENT OF THE OWNER | |
| MODEL NAME: RCA-413F/P (PART NO.) | TITLE: RCA PIN JACK |
| DESIGN: X.H.Wang 11/15'18 | DWG NO.: |
| CHECKED: L.W.Wu 11/15'18 | VIEW: 5:1 |
| APPROVED: X.Q.Hu 11/15'18 | SCALE: SHEET: 1/1 |
| QTY: / | UNIT: mm |
| | REV.: A |
| | SIZE: A3 |

广东正宝科技有限公司
 GUANGDONG TERPRO TECHNOLOGY CO., LTD.