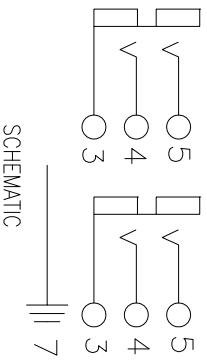
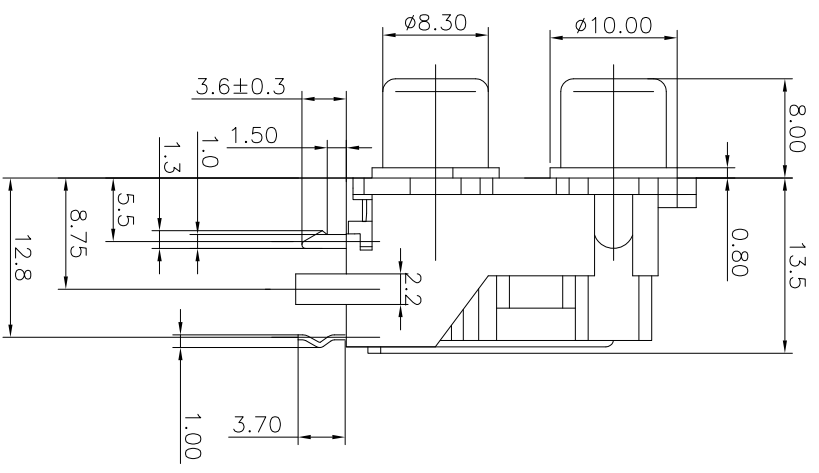
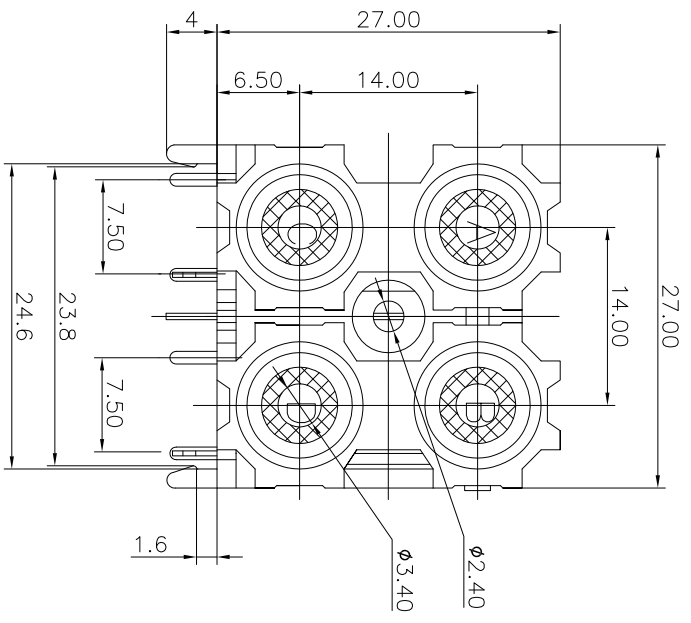
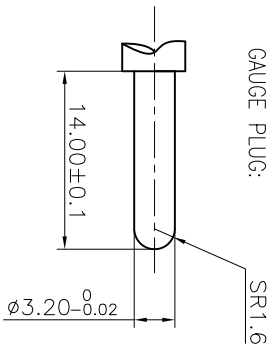


REV.	ECN NO.	MODIFIED MARK	APPROVED
A		FIRST RELEASE	

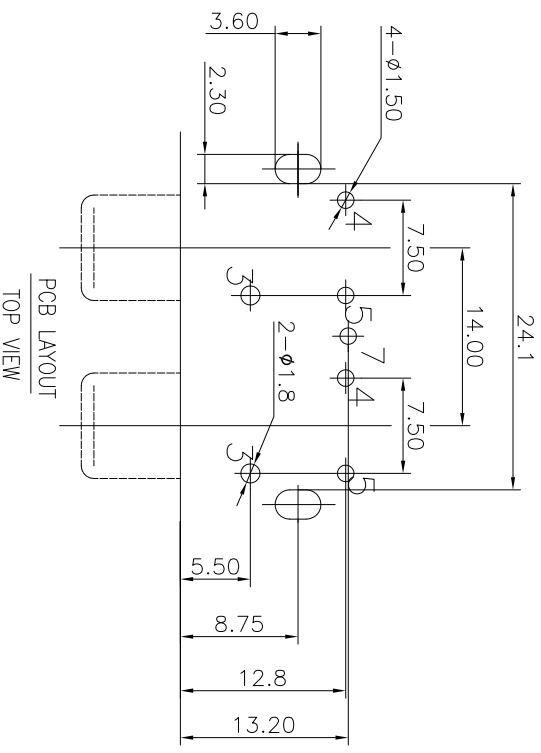


SCHEMATIC



GAUGE PLUG: SR1.6

NOTES:
 ELECTRICAL:
 1: RATED CURRENT: 0.2A Max.
 2: RATED VOLTAGE: 50V AC.
 3: CONTACT RESISTANCE: 30 MILLIOHMS Max.
 AFTER TESTING: 100 MILLIOHMS Max.
 4: INSULATION RESISTANCE: 100 MEGAOHMS Min.
 5: DIELECTRIC WITHSTANDING VOLTAGE: 500 VAC Min.
 MECHANICAL:
 1: INSERTION FORCE: 3N-30N.
 2: WITHDRAWAL FORCE: 3N-30N.
 3: DURABILITY: 100 CYCLES.
 ENVIRONMENTAL:
 TEMPERATURE RANGE: -20°C TO 60°C.



PCB LAYOUT
TOP VIEW

ANGLE	±5°	MODEL NAME: RCA-413E	广东正宝科技有限公司 GUANGDONG TRENPRO TECHNOLOGY CO., LTD.	TITLE: RCA PIN JACK	REV.: A
63 < L	±0.5	(PART NO.)			
16 < L ≤ 63	±0.4				
4 < L ≤ 16	±0.3				
L ≤ 4	±0.2				
TOL TABLE:		MAT'L: See table			
THIS DOCUMENT IS THE PROPERTY OF TRENPRO TECHNOLOGY CO., LTD. NO PART THEREOF MAY BE REPRODUCED AND USED WITHOUT THE PRIOR WRITTEN CONSENT OF THE OWNER		FINISH: See table			
QTY: /		CHECKED: L.W.Wu 11/15'18	DWG NO.:		
		DESIGN: X.H.Wang 11/15'18	APPROVED: X.Q.Hu 11/15'18	UNIT: mm	VIEW: 5:1
				SCALE: SHEET: 1/1	SIZE: A3