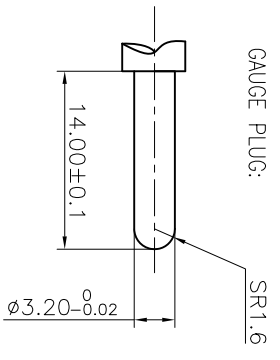
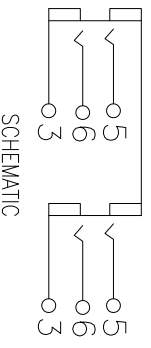
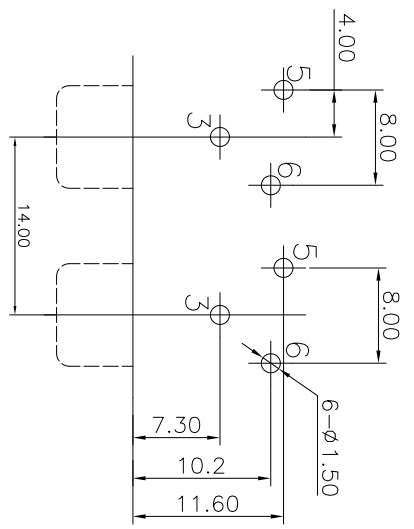
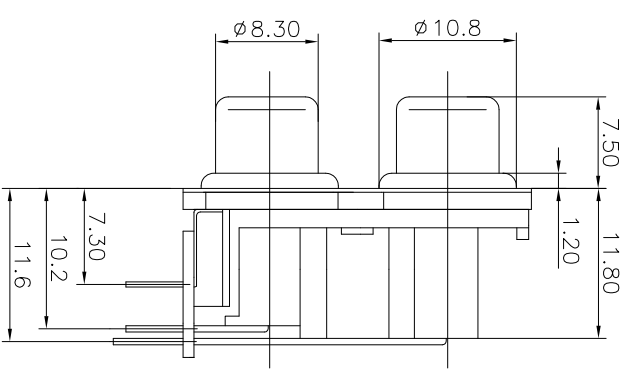
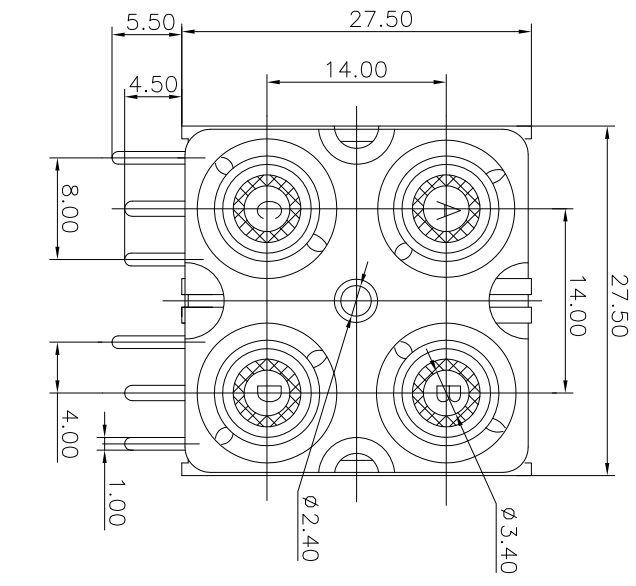


REV.	ECN NO.	MODIFIED MARK	APPROVED
A		FIRST RELEASE	



- NOTES:
- ELECTRICAL:
- 1: RATED CURRENT: 0.2A Max.
 - 2: RATED VOLTAGE: 50V AC.
 - 3: CONTACT RESISTANCE: 30 MILLIOHMS Max.
 - 4: INSULATION RESISTANCE: 100 MEGAOHMS Min.
 - 5: DIELECTRIC WITHSTANDING VOLTAGE: 500 VAC Min.
- MECHANICAL:
- 1: INSERTION FORCE: 3N-30N.
 - 2: WITHDRAWAL FORCE: 3N-30N.
 - 3: DURABILITY: 100 CYCLES.
- ENVIRONMENTAL:
- TEMPERATURE RANGE: -20°C TO 60°C.

ANGLE	±5°
63 < L	±0.5
16 < L ≤ 63	±0.4
4 < L ≤ 16	±0.3
L ≤ 4	±0.2

MODEL NAME: RCA-410P (PART NO.)		TOL TABLE:	
MAT'L:	See table	THIS DOCUMENT IS THE PROPERTY OF TRENPRO TECHNOLOGY CO., LTD. NO PART HEREOF MAY BE REPRODUCED AND USED WITHOUT THE PRIOR WRITTEN CONSENT OF THE OWNER	
FINISH:	See table	Q'TY./	
CHECKED: L.W.Wu	11/15'18	APPROVED: X.Q.Hu	11/15'18
DESIGN: X.H.Wang	11/15'18	UNIT:	mm
TITLE: RCA PIN JACK	DWG NO.:	VIEW:	SCALE: 5:1
REV.:	A	SHEET:	1/1
SIZE:	A3		

广东正宝科技有限公司
GUANGDONG TRENPRO TECHNOLOGY CO., LTD.