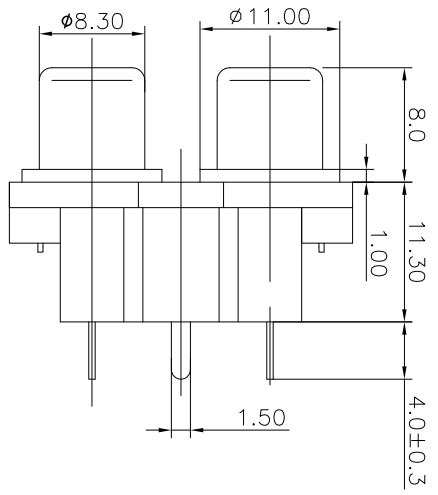
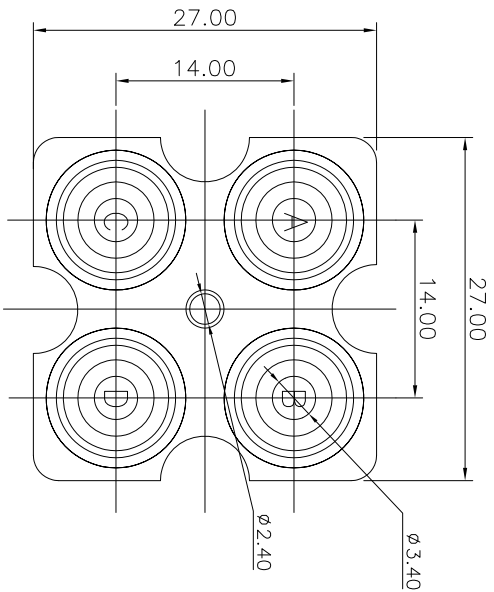
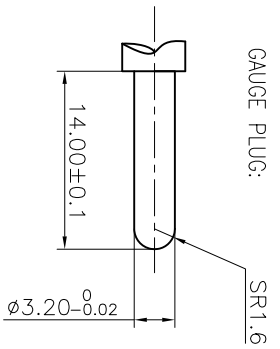
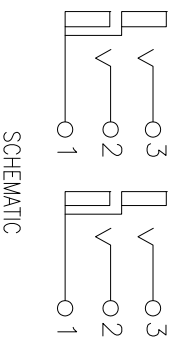
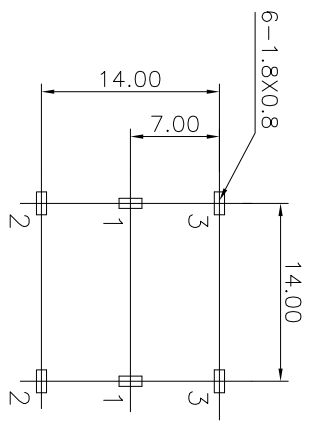




REV.	ECN NO.	MODIFIED MARK	APPROVED
A		FIRST RELEASE	



- NOTES:
- ELECTRICAL:
- 1: RATED CURRENT: 0.2A Max.
 - 2: RATED VOLTAGE: 50V AC.
 - 3: CONTACT RESISTANCE: 30 MILLIOHMS Max. AFTER TESTING: 100 MILLIOHMS Max.
 - 4: INSULATION RESISTANCE: 100 MEGAOHMS Min.
 - 5: DIELECTRIC WITHSTANDING VOLTAGE: 500 VAC Min.
- MECHANICAL:
- 1: INSERTION FORCE: 3N-30N.
 - 2: WITHDRAWAL FORCE: 3N-30N.
 - 3: DURABILITY: 100 CYCLES.
- ENVIRONMENTAL:
- TEMPERATURE RANGE: -20°C TO 60°C.



PCB LAYOUT
TOP VIEW

ANGLE	±5°	MODEL NAME: RCA-407D (PART NO.)	 广东正宝科技有限公司 GUANGDONG TRENPRO TECHNOLOGY CO., LTD.
63 < L	±0.5	MAT'L: See table	
16 < L ≤ 63	±0.4	FINISH: See table	
4 < L ≤ 16	±0.3	DESIGN: X.H.Wang 11/15'18	TITLE: RCA PIN JACK
L ≤ 4	±0.2	CHECKED: L.W.Wu 11/15'18	DWG NO.:
TOL TABLE:		Q'TY: /	APPROVED: X.Q.Hu 11/15'18
THIS DOCUMENT IS THE PROPERTY OF TRENPRO TECHNOLOGY CO., LTD. NO PART THEREOF MAY BE REPRODUCED AND USED WITHOUT THE PRIOR WRITTEN CONSENT OF THE OWNER.		UNIT: mm	VIEW: 
		SCALE: 5:1	SHEET: 1/1
		SIZE: A3	REV.: A