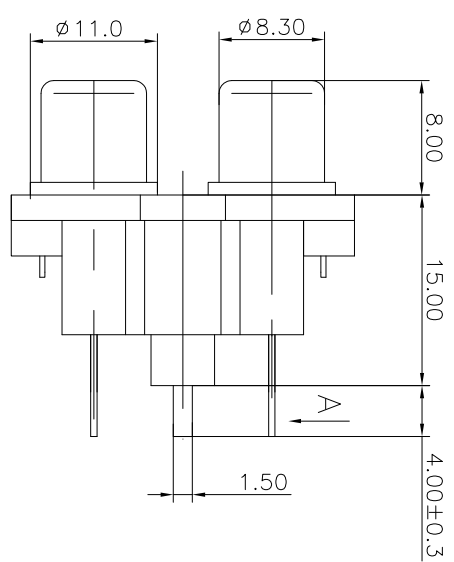
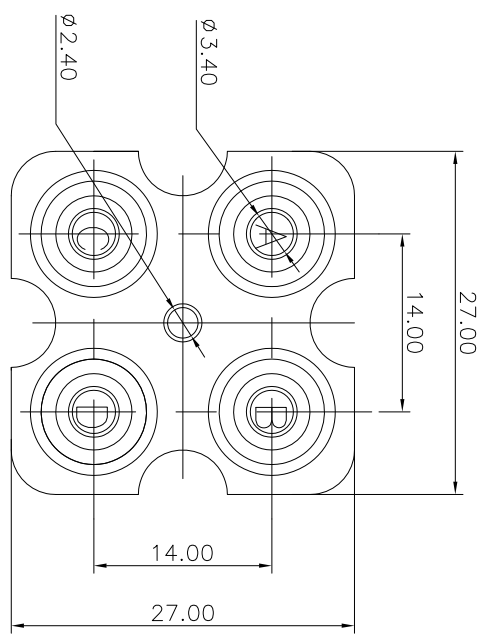
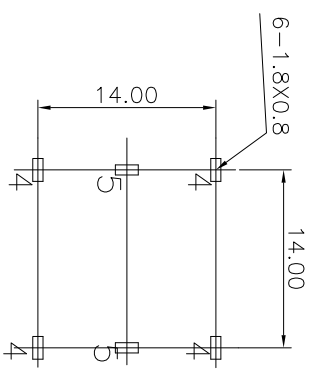


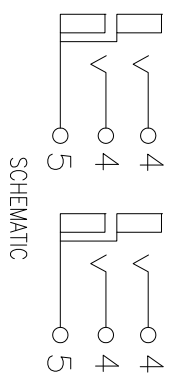
REV.	ECN NO.	MODIFIED MARK	APPROVED
A		FIRST RELEASE	



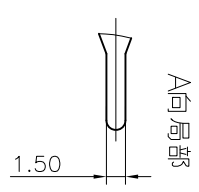
- NOTES:
- ELECTRICAL:
- 1: RATED CURRENT: 0.2A Max.
 - 2: RATED VOLTAGE: 50V AC.
 - 3: CONTACT RESISTANCE: 30 MILLIOHMS Max. AFTER TESTING: 100 MILLIOHMS Max.
 - 4: INSULATION RESISTANCE: 100 MEGAOHMS Min.
 - 5: DIELECTRIC WITHSTANDING VOLTAGE: 500 VAC Min.
- MECHANICAL:
- 1: INSERTION FORCE: 3N-30N.
 - 2: WITHDRAWAL FORCE: 3N-30N.
 - 3: DURABILITY: 100 CYCLES.
- ENVIRONMENTAL:
- TEMPERATURE RANGE: -20°C TO 60°C.



PCB LAYOUT
TOP VIEW



SCHEMATIC



GAUGE PLUG: SR1.6

ANGLE	±5°	MODEL NAME: RCA-407C	 广东正宝科技有限公司 GUANGDONG TRENPRO TECHNOLOGY CO., LTD.	TITLE:	RCA PIN JACK	REV.:	A				
63 < L	±0.5	(PART NO.)		MAT'L:	See table	UNIT:	mm	VIEW:	SCALE:	SHEET:	SIZE:
16 < L ≤ 63	±0.4		FINISH:	See table	Q'TY./:		APPROVED:	X.Q.Hu	11/15'18	1/1	A3
4 < L ≤ 16	±0.3		TOL TABLE:								
L ≤ 4	±0.2		THIS DOCUMENT IS THE PROPERTY OF TRENPRO TECHNOLOGY CO., LTD. NO PART THEREOF MAY BE REPRODUCED AND USED WITHOUT THE PRIOR WRITTEN CONSENT OF THE OWNER								

DESIGN: X.H.Wang 11/15'18

CHECKED: L.W.Wu 11/15'18

DWG NO.: