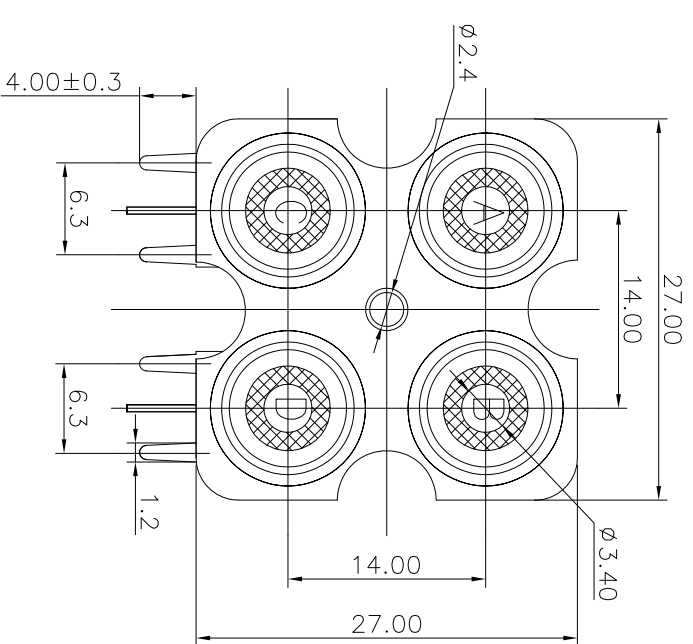
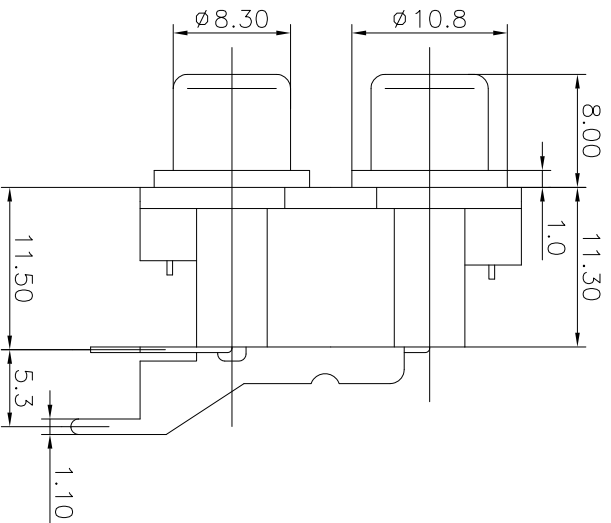


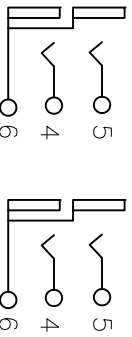
REV.	ECN NO.	MODIFIED MARK	APPROVED
A		FIRST RELEASE	



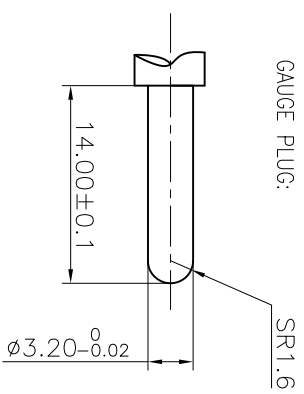
PCB LAYOUT
TOP VIEW




- NOTES:
- ELECTRICAL:
- 1: RATED CURRENT: 0.2A Max.
 - 2: RATED VOLTAGE: 50V AC.
 - 3: CONTACT RESISTANCE: 30 MILLIOHMS Max.
 - 4: INSULATION RESISTANCE: 100 MEGAOHMS Min.
 - 5: DIELECTRIC WITHSTANDING VOLTAGE: 500 VAC Min.
- MECHANICAL:
- 1: INSERTION FORCE: 3N-30N.
 - 2: WITHDRAWAL FORCE: 3N-30N.
 - 3: DURABILITY: 100 CYCLES.
- ENVIRONMENTAL:
- TEMPERATURE RANGE: -20°C TO 60°C.



SCHEMATIC



GAUGE PLUG:

ANGLE	±5°	MODEL NAME: RCA-407	 广东正宝科技有限公司 GUANGDONG TRENPPO TECHNOLOGY CO., LTD.
63 < L	±0.5	(PART NO.)	
16 < L ≤ 63	±0.4	DESIGN: X.H.Wang	TITLE: RCA PIN JACK
4 < L ≤ 16	±0.3	CHECKED: L.W.Wu	DWG NO.:
L ≤ 4	±0.2	DATE: 11/02'18	UNIT: mm
TOL TABLE:		QTY: /	VIEW: 5:1
THIS DOCUMENT IS THE PROPERTY OF TRENPPO TECHNOLOGY CO., LTD. NO PART THEREOF MAY BE REPRODUCED AND USED WITHOUT THE PRIOR WRITTEN CONSENT OF THE OWNER		APPROVED: X.Q.Hu	SCALE: SHEET: 1/1
		DATE: 11/02'18	SIZE: A3
			REV.: A