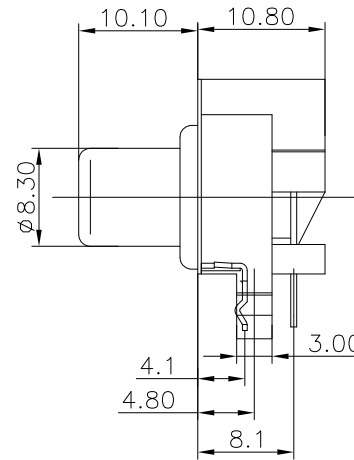
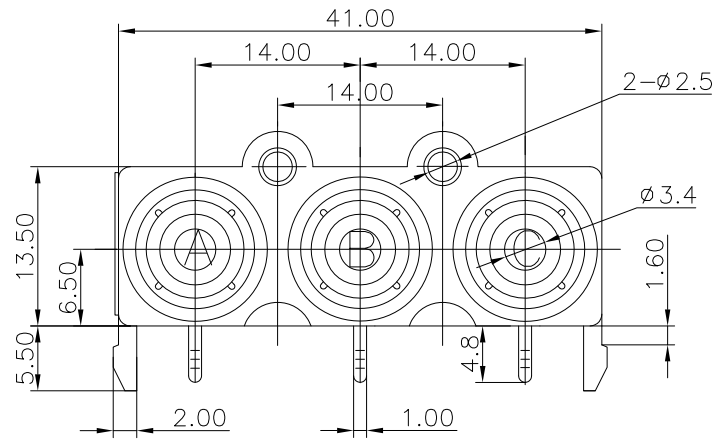
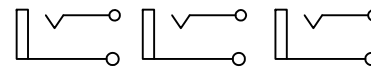
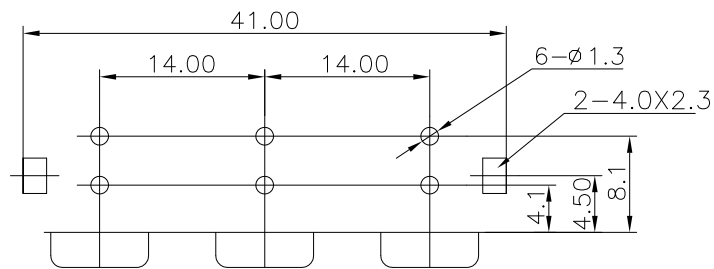


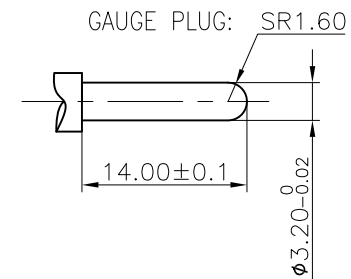
|      |         |               |          |
|------|---------|---------------|----------|
| REV. | ECN NO. | MODIFIED MARK | APPROVED |
| A    | —       | FIRST RELEASE |          |



NOTES:  
ELECTRICAL:  
1:RATED CURRENT: 0.2A Max.  
2:RATED VOLTAGE: 50V AC.  
3:CONTACT RESISTANCE: 30 MILLIOHMS Max.  
AFTER TESTING:100 MILLIOHMS Max.  
4:INSULATION RESISTANCE: 100 MEGAOHMS Min.  
5:DIELECTRIC WITHSTANDING VOLTAGE: 500 VAC Min.  
MECHANICAL:  
1:INSERTION FORCE: 3N-30N.  
2:WITHDRAWAL FORCE: 3N-30N.  
3:DURRABILITY: 100 CYCLES.  
ENVIRONMENTAL:  
TEMPERATURE RANGE: -20°C TO 60°C.



SCHEMATIC



PCB LAYOUT  
TOP VIEW

|  |      |
|--|------|
| ANGLE  | ±5°  |
| 63 < L   | ±0.5 |
| 16 < L ≤ 63  | ±0.4 |
| 4 < L ≤ 16   | ±0.3 |
| L ≤ 4  | ±0.2 |
| TOL TABLE:   |      |
| THIS DOCUMENT IS THE PROPERTY OF ZHENGWEI ELECTRONICS CO.,LTD. NO PART THEREOF MAY BE REPRODUCED AND USED WITHOUT THE PRIOR WRITTEN CONSENT OF THE OWNER |      |

MODEL NAME: RCA-327A/P  
(PART NO.)



广东正宝科技有限公司  
GUANGDONG TRENPRO TECHNOLOGY CO. LTD.

MAT'L:  
See table

DESIGN: Z.F.Lian 09/07'18

TITLE: RCA PIN JACK

FINISH:  
See table

CHECKED: L.W.Wu 09/07'18

DWG NO.:

REV.:  
A

Q'TY: /

APPROVED: X.Q.Hu 09/07'18

UNIT: mm

VIEW:

SCALE: 5:1

SHEET: 1/1

SIZE: A3