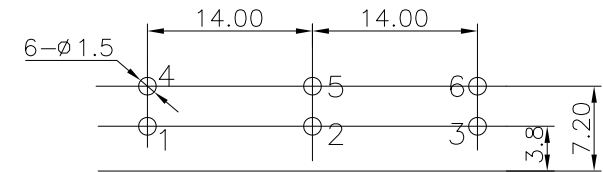
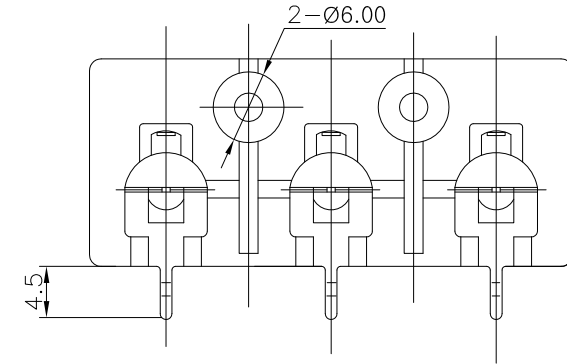
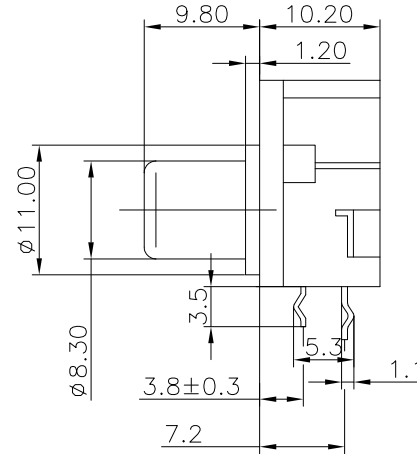
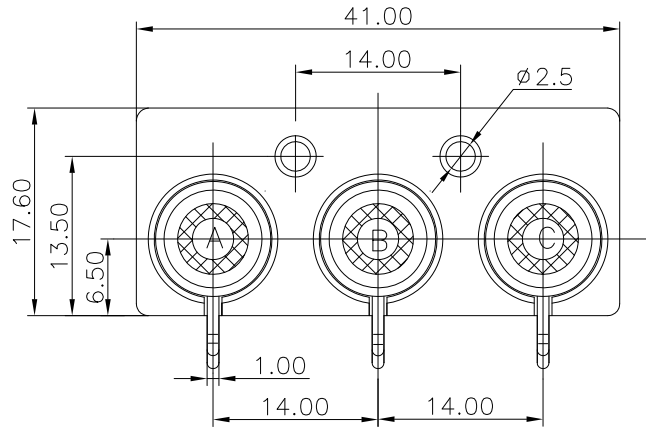
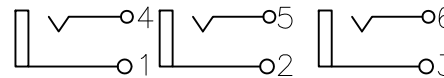


REV.	ECN NO.	MODIFIED MARK	APPROVED
A	—	FIRST RELEASE	



PCB LAYOUT
TOP VIEW



SCHEMATIC

NOTES:

ELECTRICAL:

1:RATED CURRENT: 0.2A Max.

2:RATED VOLTAGE: 50V AC.

3:CONTACT RESISTANCE: 30 MILLIOHMS Max.

AFTER TESTING:100 MILLIOHMS Max.

4:INSULATION RESISTANCE: 100 MEGAOHMS Min.

5:DIELECTRIC WITHSTANDING VOLTAGE: 500 VAC Min.

MECHANICAL:

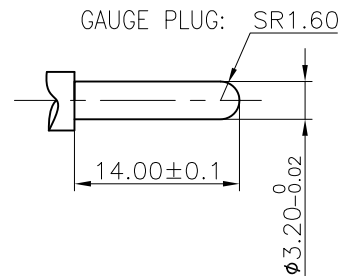
1:INSERTION FORCE: 3N-30N.

2:WITHDRAWAL FORCE: 3N-30N.

3:DURRABILITY: 100 CYCLES.

ENVIRONMENTAL:

TEMPERATURE RANGE: -20°C TO 60°C.



ANGLE	±5°
63 < L	±0.5
16 < L ≤ 63	±0.4
4 < L ≤ 16	±0.3
L ≤ 4	±0.2
TOL TABLE:	
THIS DOCUMENT IS THE PROPERTY OF ZHENGWEI ELECTRONICS CO.,LTD. NO PART THEREOF MAY BE REPRODUCED AND USED WITHOUT THE PRIOR WRITTEN CONSENT OF THE OWNER	

MODEL NAME: RCA-327P
(PART NO.)



广东正宝科技有限公司
GUANGDONG TRENPRO TECHNOLOGY CO. LTD.

MAT'L:
See table

DESIGN: Z.F.Lian 09/07'18

TITLE: RCA PIN JACK

FINISH:
See table

CHECKED: L.W.Wu 09/07'18

DWG NO.:

REV.:
A

Q'TY: /

APPROVED: X.Q.Hu 09/07'18

UNIT: mm

VIEW: SCALE: 5:1 SHEET: 1/1 SIZE: A3