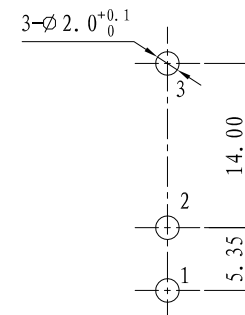
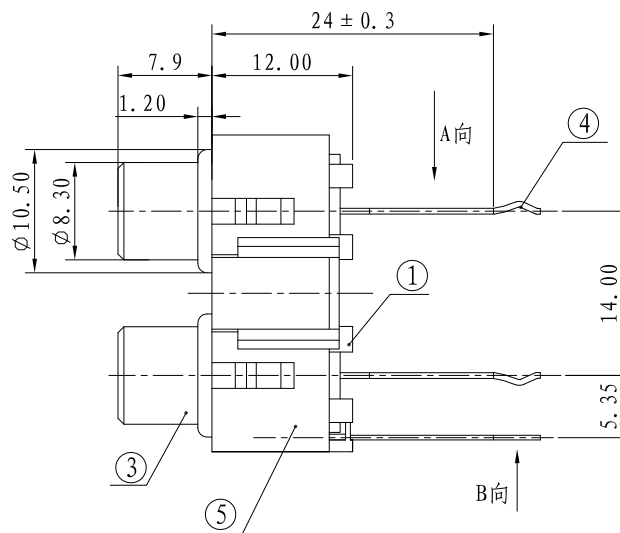
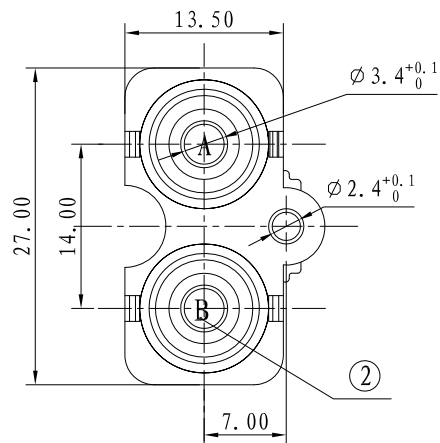
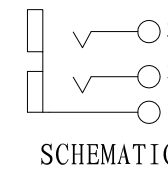
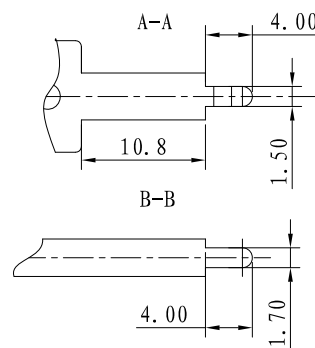


ALLOWANCE	
UNDER 3	± 0.1
3 TO 6	± 0.15
6 TO 15	± 0.2
15 TO 50	± 0.25
50 OVER	± 0.3



PCB LAYOUT
TOP VIEW



SCHEMATIC

仅供参考

COLOR TABLE

CODE	A	B
COLOR	WHITE	RED

5	COVER	ABS	1	BLACK			
4	TERMINAL-A	BRASS t=0.5	2	CuSn PLATED	MODEL NO: RCA-206B	ALLOWANCE:	DRAWN BY: WXH 18.4.14
3	SOCKET	BRASS t=0.4	1	CuSn PLATED	TYPE: RCA PIN JACK	UNIT: mm	CHECKED BY: WLW 18.4.14
2	WASHER	PBT	2	SEE COLOR TABLE	MATERIAL NO:	SCALE:	APPROVED BY: HXQ 18.4.14
1	HOUSE	ABS	1	WHITE	PROJECTION		
NO:	PART NAME	MATERIAL	QTY	FINISHING			



ZWEE INDUSTRY(HK)CO.,LIMITED