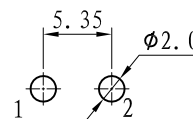
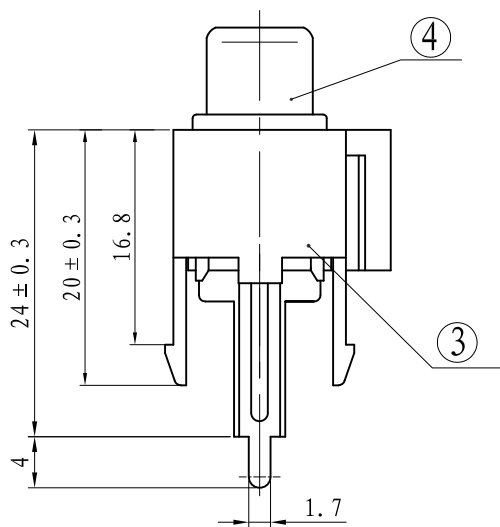
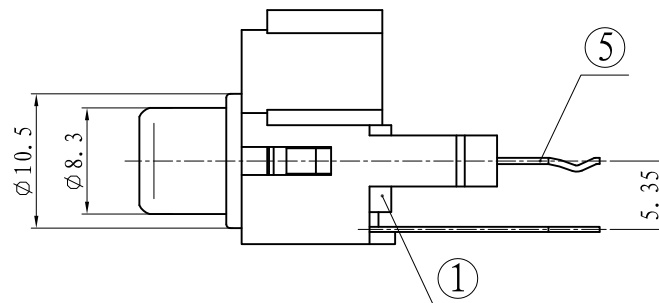
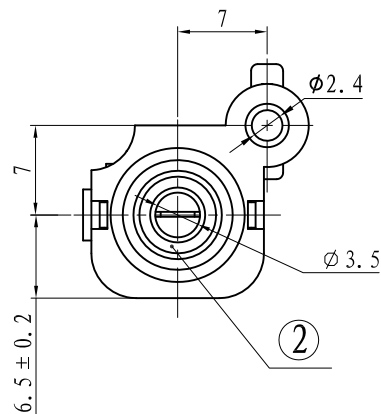
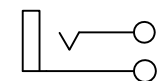


ALLOWANCE	
UNDER 3	± 0.1
3 TO 6	± 0.15
6 TO 15	± 0.2
15 TO 50	± 0.25
50 OVER	± 0.3



PCB LAYOUT



SCHEMATIC

5	TERMINAL-A	BRASS t=0.5	1	CuSn PLATED			
4	SOCKET	BRASS t=0.36	1	CuSn PLATED	MODEL NO: RCA-128A	ALLOWANCE:	DRAWN BY:
3	COVER	ABS	1	BLACK	TYPE: RCA JACK	UNIT: mm	CHECKED BY:
2	WASHER	ABS	1	RED	MATERIAL NO:	SCALE:	APPROVED BY:
1	HOUSE	ABS	1	WHITE	PROJECTION	 ZHENGWEI INDUSTRY (HK) CO., LIMITED	
NO:	PART NAME	MATERIAL	QTY	FINISHING	