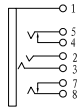
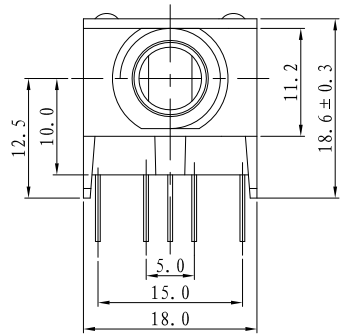


仅供参考

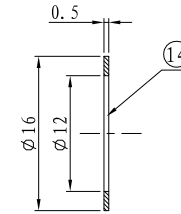
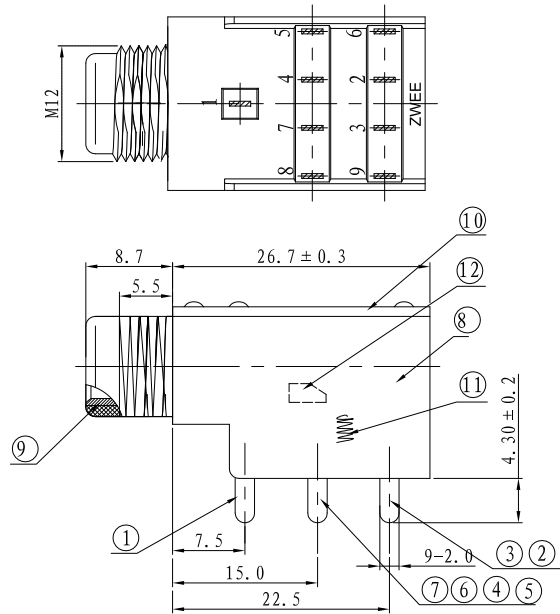
ALLOWANCE	
UNDER 3	± 0.1
3 TO 6	± 0.15
6 TO 15	± 0.2
15 TO 50	± 0.25
50 OVER	± 0.3



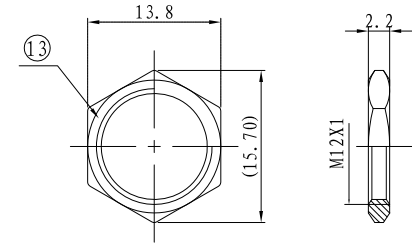
SCHEMATIC



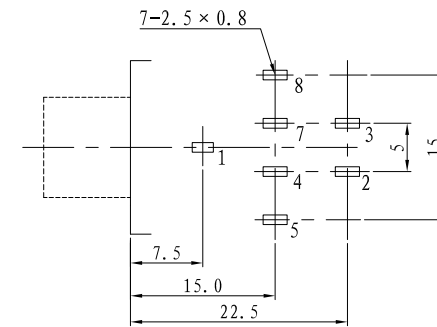
Bottom view




WASHER



NUT



PCB LAYOUT

9	SOCKET	BRASS	1	Ni PLATED	14	WASHER	SPCC &=0.5	1	Ni PLATED
8	HOUSE	ABS 94HB	1	BLACK	13	NUT	BRASS	1	Ni PLATED
7	TERMINAL-8	BRONZE t=0.3	1	Ag PLATED	12	SLIPPERY PIECE	POM	2	BLACK
6	TERMINAL-7	BRASS t=0.5	1	Ag PLATED	11	SPRING	72A	1	Ni PLATED
5	TERMINAL-5	BRONZE t=0.3	1	Ag PLATED	10	COVER	PC	1	transparent
4	TERMINAL-4	BRASS t=0.5	1	Ag PLATED	MODEL NO: SJ-6313-7P		ALLOWANCE:	DRAWN BY:	
3	TERMINAL-3	BRONZE t=0.25	1	Ag PLATED	TYPE: 6.35 PHONE JACK		UNIT: mm	CHECKED BY:	
2	TERMINAL-2	BRONZE t=0.25	1	Ag PLATED	MATERIAL NO:		SCALE:	APPROVED BY:	
1	TERMINAL-1	BRONZE t=0.25	1	Ag PLATED	PROJECTION		 ZWEE INDUSTRY(HK)CO.,LIMITED		
NO:	PART NAME	MATERIAL	QTY	FINISHING	