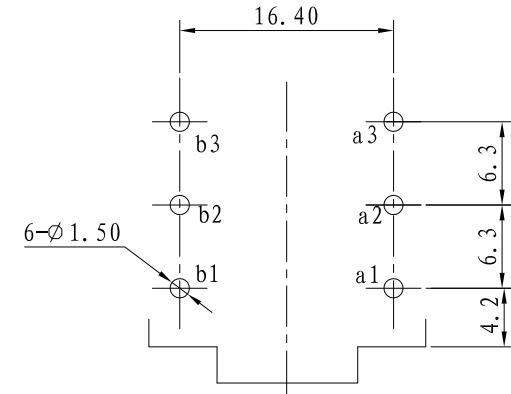
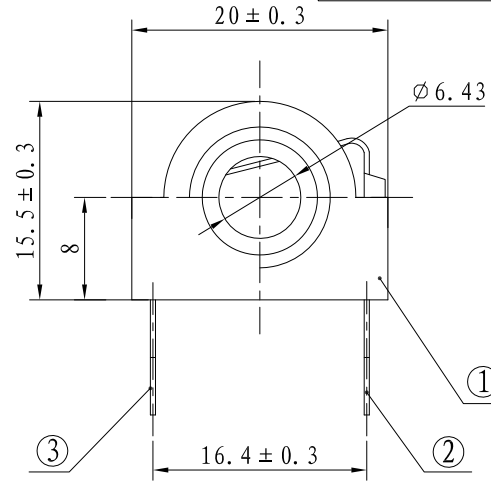
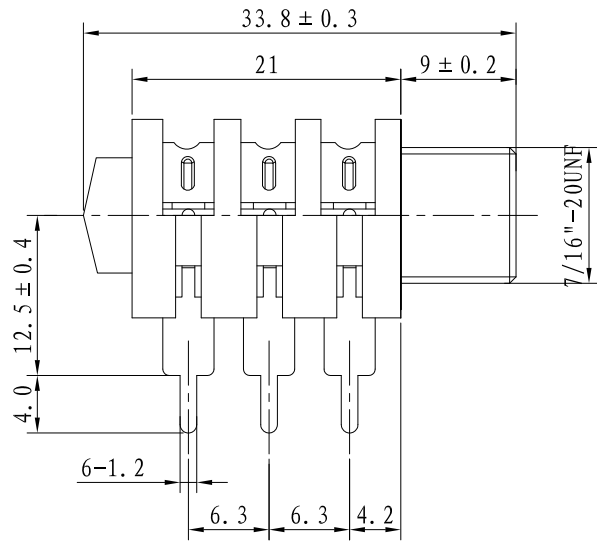
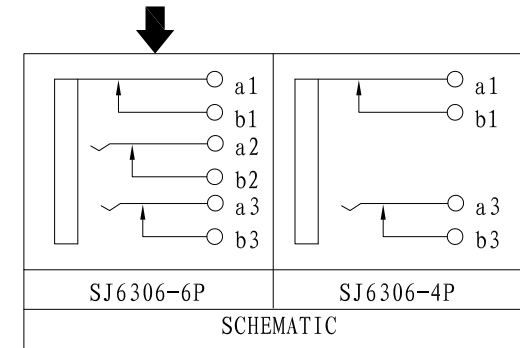
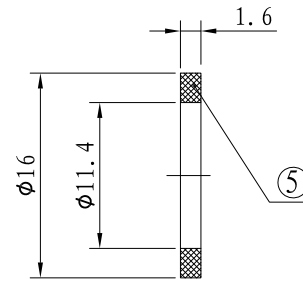
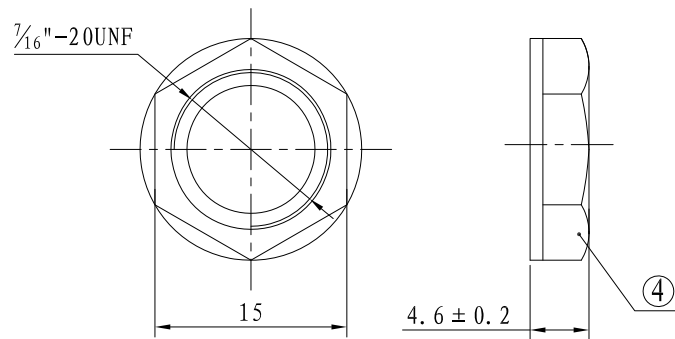


仅供参考


ALLOWANCE	
UNDER 3	± 0.1
3 TO 6	± 0.15
6 TO 15	± 0.2
15 TO 50	± 0.25
50 OVER	± 0.3



PCB LAYOUT
TOP VIEW



5	WASHER	ABS	1	BLACK
4	NUT	PA66	1	BLACK
3	TERMINAT-B	BRASS t=0.4	3	Ag PLATED
2	TERMINAT-A	BRONZE t=0.4	3	Ag PLATED
1	HOUSE	PA66	1	BLACK
NO:	PART NAME	MATERIAL	QTY	FINISHING

MODEL NO: SJ6306-6P	ALLOWANCE:	DRAWN BY: WXH 2018-5-23
TYPE: 6.35 PHONE JACK	UNIT: mm	CHECKED BY: ZP 2018-5-23
MATERIAL NO:	SCALE:	APPROVED BY: HXQ 2018-5-23
PROJECTION	 ZWEE INDUSTRY(HK)CO.,LIMITED	
