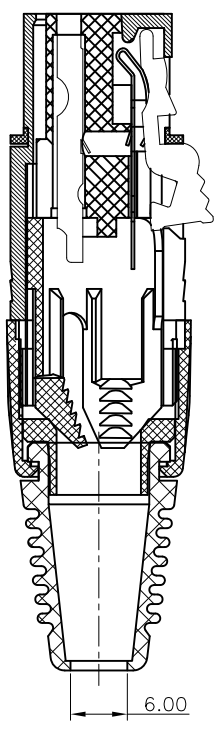
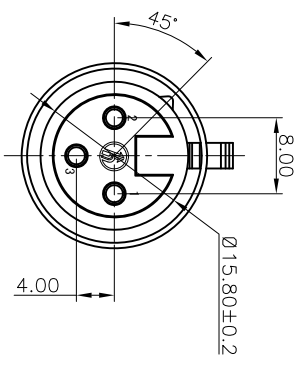
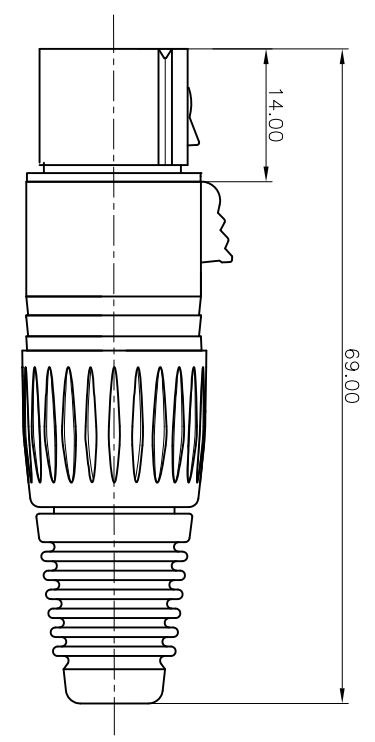


REV.	ECN NO.	MODIFIED MARK	APPROVED
A	—	FIRST RELEASE	



NOTES:
 ELECTRICAL:
 1:RATED CURRENT: 16 A MAX.
 2:RATED VOLTAGE: 50 V AC.
 3:INSULATION RESISTANCE: 2G OHMS MIN.
 4:DILECTRIC WITHSTANDING VOLTAGE: 500 VAC MIN.
 MECHANICAL:
 1:INSERTION FORCE: 5N~40N
 2:WITHDRAWAL FORCE: 5N~40N.
 4:DURABILITY: 1000 CYCLES.
 ENVIRONMENTAL:
 TEMPERATURE RANGE: -30°C TO 80°C.

ANGLE	±5°
63 < L	±0.5
16 < L ≤ 63	±0.4
4 < L ≤ 16	±0.3
L ≤ 4	±0.2

TOL TABLE:
 THIS DOCUMENT IS THE PROPERTY OF
 TRENDPRO TECHNOLOGY CO., LTD.
 NO PART HEREOF MAY BE REPRODUCED
 AND USED WITHOUT THE PRIOR WRITTEN
 CONSENT OF THE OWNER

MODEL NAME: (PART NO.)	PLF3-01
DESIGN:	X.H.Wang 09/10'18
CHECKED:	L.W.Wu 09/10'18
APPROVED:	X.Q.Hu 09/10'18
FINISH:	See table
Q'TY: /	
UNIT:	mm
VIEW:	
SCALE:	5:1
SHEET:	1/1
SIZE:	A3
REV.:	A

广东正宝科技有限公司
 GUANGDONG TRENDPRO TECHNOLOGY CO., LTD.

TITLE: PLF PLUG
 DWG NO.: