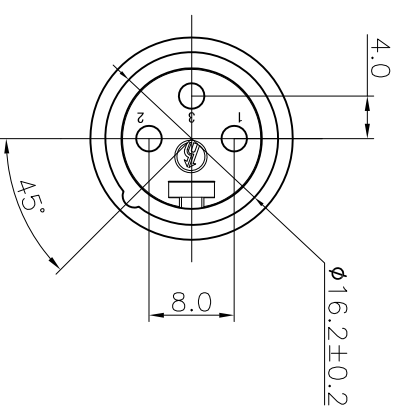
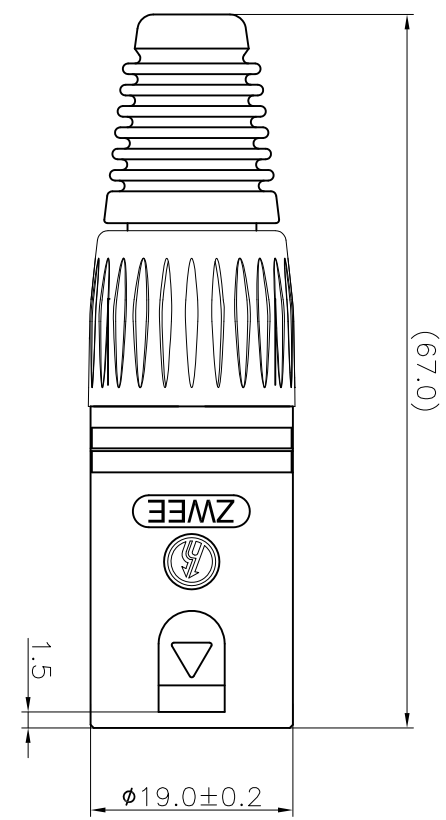


REV.	ECN NO.	MODIFIED MARK	APPROVED
A	—	FIRST RELEASE	



NOTES:

ELECTRICAL:

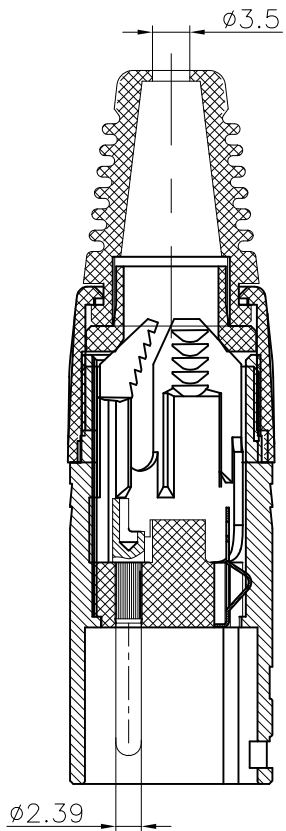
- 1: RATED CURRENT: 16A Max.
- 2: RATED VOLTAGE: 50V AC.
- 3: CONTACT RESISTANCE: 30 MILLIOHMS Max.
- 4: INSULATION RESISTANCE: 2G OHMS Min.
- 5: DIELECTRIC WITHSTANDING VOLTAGE: 500 VAC Min.


MECHANICAL:

- 1: INSERTION FORCE: 5N-40N.
- 2: WITHDRAWAL FORCE: 5N-40N.
- 3: DURABILITY: 1000 CYCLES.

ENVIRONMENTAL:

TEMPERATURE RANGE: -30°C TO 80°C.



ANGLE	±5°	MODEL NAME: PLM3-01	 广东正宝科技有限公司 GUANGDONG TRENPPO TECHNOLOGY CO. LTD.
63 < L	±0.5	(PART NO.)	
16 < L ≤ 63	±0.4		
4 < L ≤ 16	±0.3	MAT'L:	DESIGN: Z.F.Lion 08/13/18
L ≤ 4	±0.2	FINISH:	CHECKED: L.W.Wu 08/13/18
TOL TABLE:		See table	UNIT: mm
THIS DOCUMENT IS THE PROPERTY OF ZHENWEI ELECTRONICS CO.,LTD. PART THEREOF MAY BE REPRODUCED AND USED WITHOUT THE PRIOR WRITTEN CONSENT OF THE OWNER		QTY: /	APPROVED: X.Q.Hu 08/13/18
		VIEW:	SCALE: 5:1
		SHEET:	1/1
		SIZE:	A3