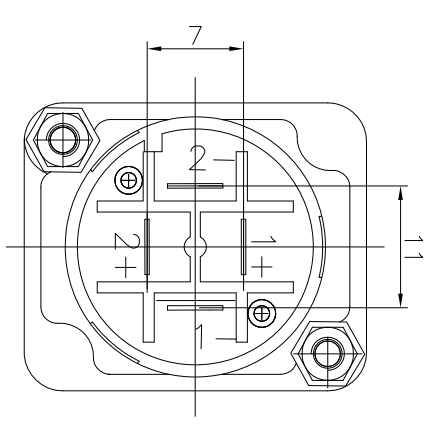
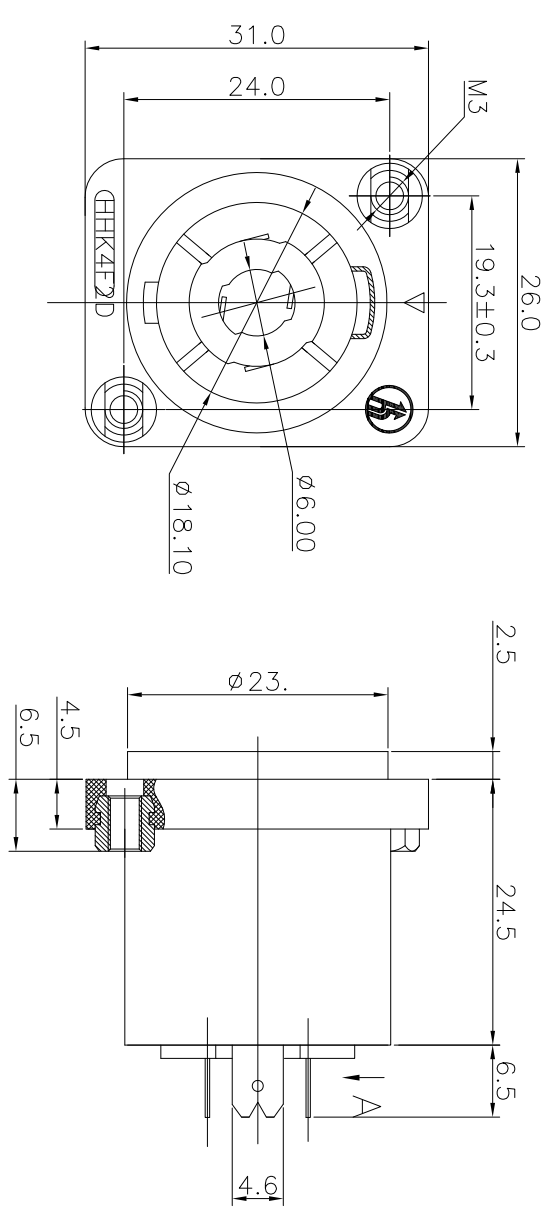
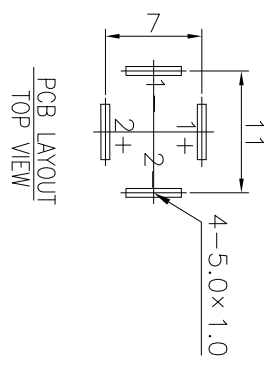
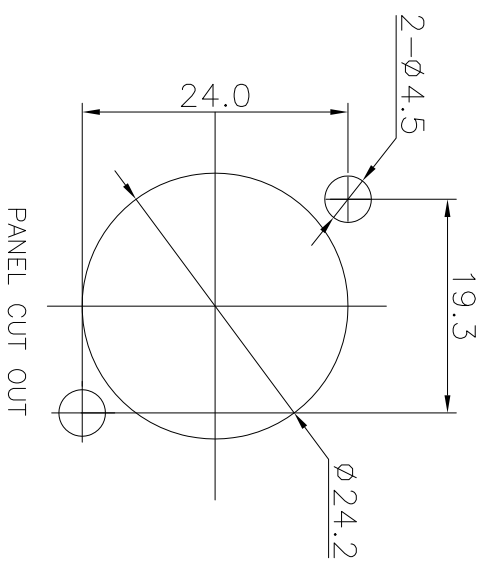


REV.	ECN NO.	MODIFIED MARK	APPROVED
A	—	FIRST RELEASE	



NOTES:

ELECTRICAL:

- 1: RATED CURRENT: XLR: 20 A MAX JACK: 15 A MAX
- 2: RATED VOLTAGE: XLR: 250 V AC JACK: 250 V AC
- 3: CONTACT RESISTANCE: 30 MILLIOHMS MAX.
- 4: INSULATION RESISTANCE: 1 G OHMS MIN.
- 5: DIELECTRIC WITHSTANDING VOLTAGE: 1000 VAC MIN.

MECHANICAL:

- 1: INSERTION FORCE: 5N~20N
- 2: WITHDRAWAL FORCE: 5N~20N.
- 4: DURABILITY: 1000 CYCLES.

ANGLE	±5°	MODEL NAME: SPE-05	 广东正宝科技有限公司 GUANGDONG TRENPRO TECHNOLOGY CO., LTD.
63 < L	±0.5	(PART NO.)	
16 < L ≤ 63	±0.4		
4 < L ≤ 16	±0.3	DESIGN: Z.F.LIAN	TITLE: SPEAKON SERIES
L ≤ 4	±0.2	CHECKED: L.W.Wu	DWG NO.:
TOL TABLE:		MAT'L: See table	DATE: 10/24'18
THIS DOCUMENT IS THE PROPERTY OF TRENPRO TECHNOLOGY CO.,LTD.,NO PART THEREOF MAY BE REPRODUCED AND USED WITHOUT THE PRIOR WRITTEN CONSENT OF THE OWNER		FINISH: See table	UNIT: mm
		Q'TY: /	VIEW: 1/1
		APPROVED: X.Q.Hu	SCALE: 5:1
		10/24'18	SHEET: 1/1
			SIZE: A3
			REV.: A