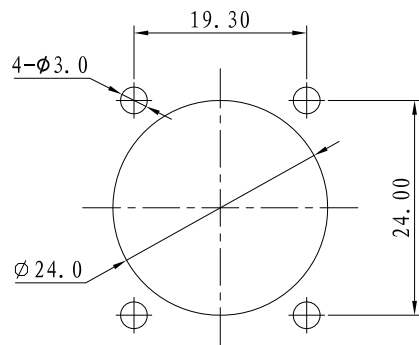
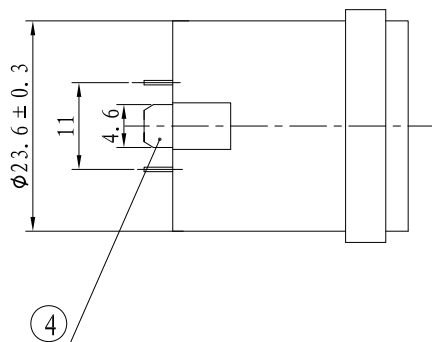
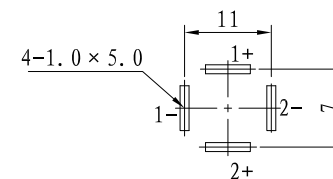


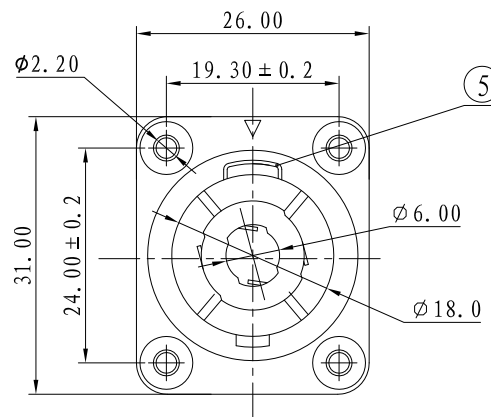
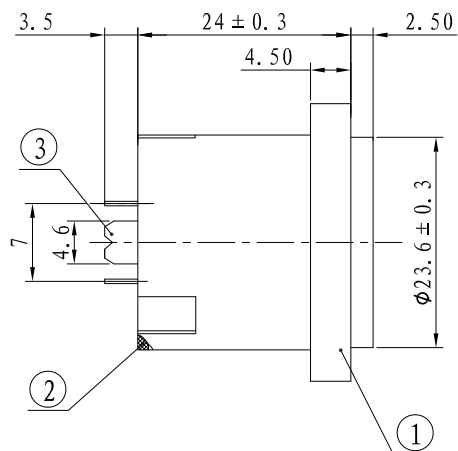
ALLOWANCE	
UNDER 3	± 0.1
3 TO 6	± 0.15
6 TO 15	± 0.2
15 TO 50	± 0.25
50 OVER	± 0.3



PANEL CUT OUT



PCB LAYOUT



仅供参考

5	TERMINAL-C	STEEL t=0.3	1				
4	TERMINAL-B	BRONZE t=0.4	2	Ag PLATED	MODEL NO: SPE-02B	ALLOWANCE:	DRAWN BY:
3	TERMINAL-A	BRONZE t=0.4	2	Ag PLATED	TYPE: SP SOCKET	UNIT: mm	CHECKED BY:
2	COVER	PA66	1	BLACK	MATERIAL NO:	SCALE:	APPROVED BY:
1	HOUSE	PA66	1	BLACK	PROJECTION		
NO:	PART NAME	MATERIAL	QTY	FINISHING		ZWEE INDUSTRY(HK)CO.,LIMITED	