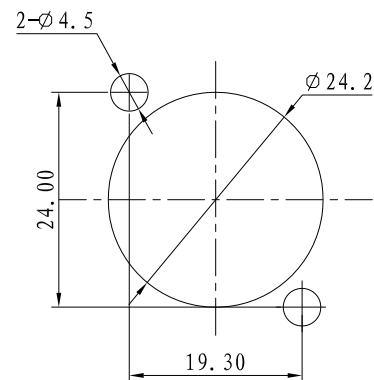
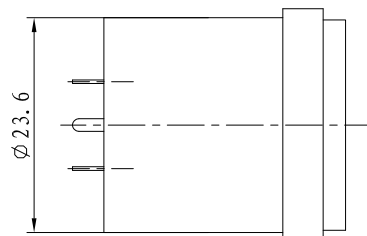
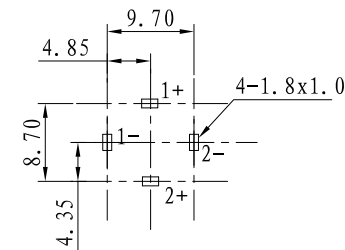


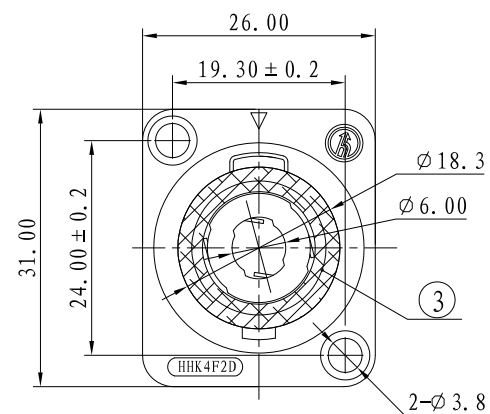
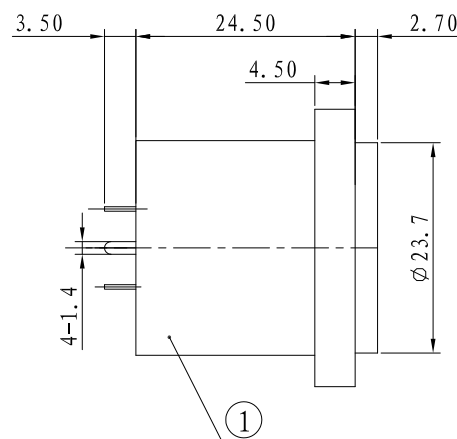
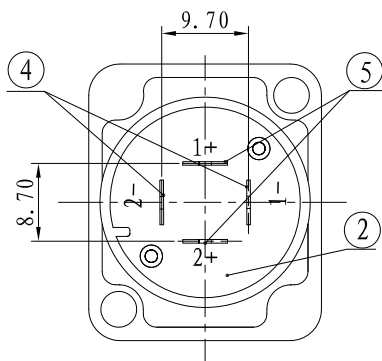
ALLOWANCE	
UNDER 3	± 0.1
3 TO 6	± 0.15
6 TO 15	± 0.2
15 TO 50	± 0.25
50 OVER	± 0.3



PANEL CUT OUT



PCB LAYOUT



仅供参考

5	TERMINAL-B	BRONZE t=0.4	2	Ag PLATED
4	TERMINAL-A	BRONZE t=0.4	2	Ag PLATED
3	WASHER	RUBBER	1	BLACK
2	COVER	PA66	1	BLACK
1	HOUSE	PA66	1	BLACK
NO:	PART NAME	MATERIAL	QTY	FINISHING

MODEL NO: SPE-01C

ALLOWANCE:

DRAWN BY:

TYPE: XLR CABLE CONNECTORS

UNIT: mm

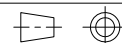
CHECKED BY:

MATERIAL NO:

SCALE:

APPROVED BY:

PROJECTION



ZWEE INDUSTRY(HK)CO.,LIMITED