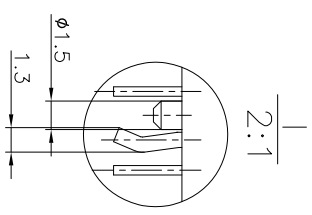
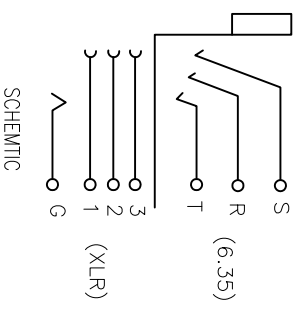
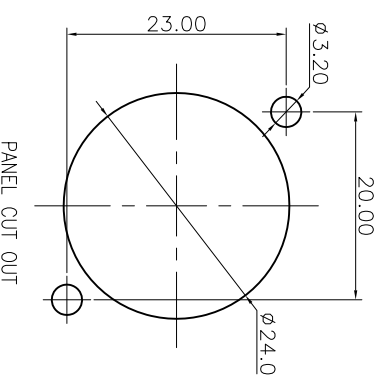
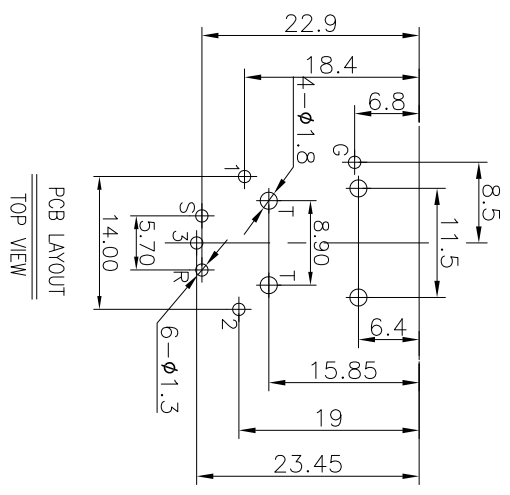
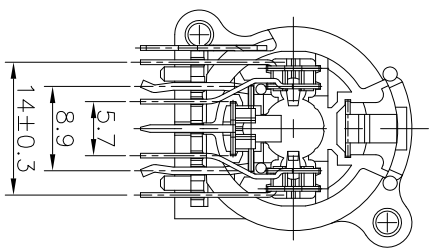
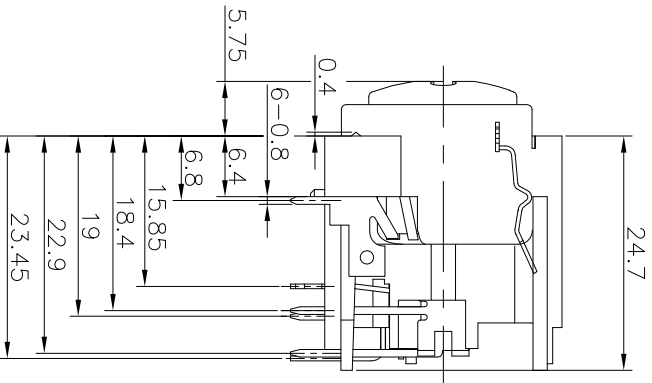
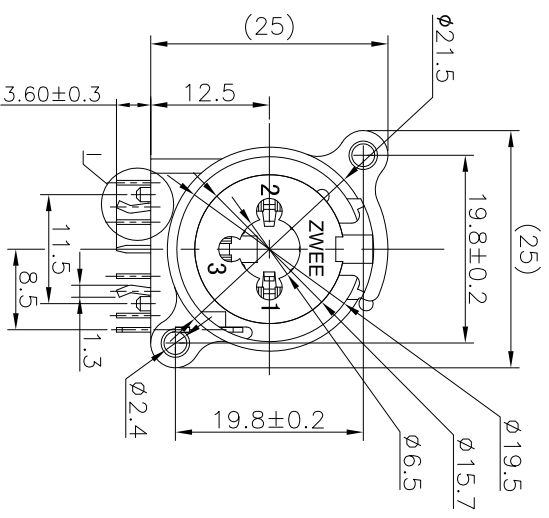


REV. A	ECN NO.	MODIFIED MARK	APPROVED
		FIRST RELEASE	



NOTES:  
 ELECTRICAL:  
 1: RATED CURRENT: 7.5 A MAX.  
 2: RATED VOLTAGE: 50 V AC.  
 3: CONTACT RESISTANCE: XLR: 30 MILLIOHMS MAX. JACK: 30 MILLIOHMS  
 MAX.  
 4: INSULATION RESISTANCE: 1 G OHMS MIN.  
 5: DIELECTRIC WITHSTANDING VOLTAGE: 500 VAC MIN.  
 MECHANICAL:  
 1: INSERTION FORCE: 5N~40N  
 2: WITHDRAWAL FORCE: 5N~40N.  
 4: DURABILITY: 1000 CYCLES.  
 ENVIRONMENTAL:  
 TEMPERATURE RANGE: -30°C TO 80°C.

ANGLE	±5°	MODEL NAME:	SPC-18	
63 < L	±0.5	(PART NO.)		
16 < L ≤ 63	±0.4	DESIGN:	X.H.Wang 08/14'18	广东正宝科技有限公司
4 < L ≤ 16	±0.3	CHECKED:	L.W.Wu 08/14'18	GUANGDONG TREANPRO TECHNOLOGY CO., LTD.
L ≤ 4	±0.2	MAT'L:	See table	
		FINISH:	See table	
		Q'Ty: /		
		APPROVED:	X.Q.Hu 08/14'18	
		UNIT:	mm	
		VIEW:		
		SCALE:	5:1	
		SHEET:	1/1	
		SIZE:	A3	
		REV.:	A	