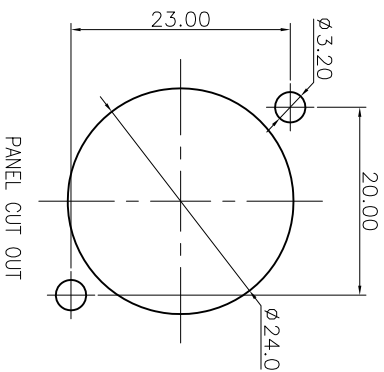
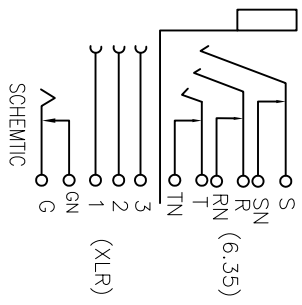
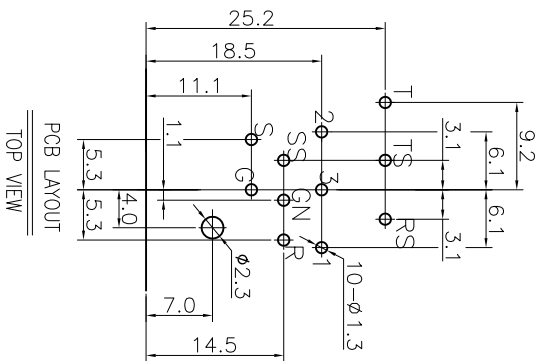
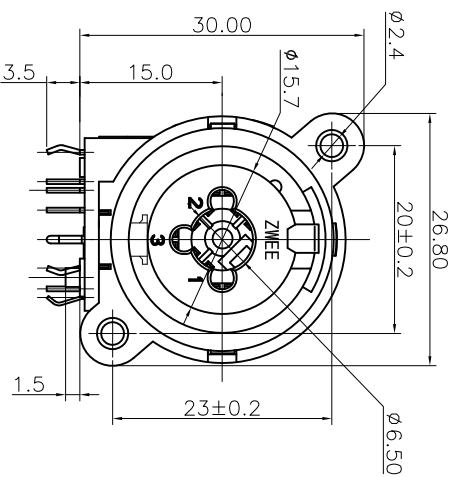
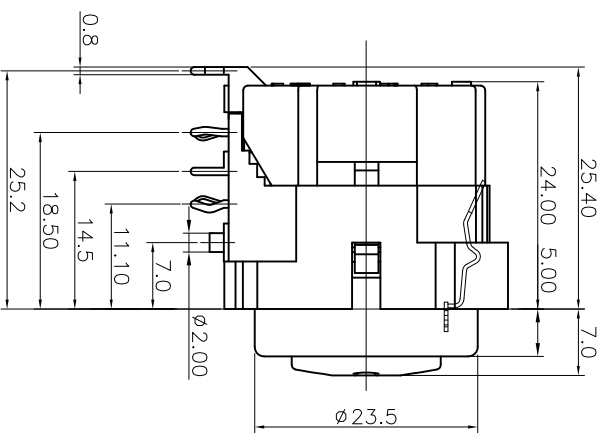


REV.	ECN NO.	MODIFIED MARK	APPROVED
A		FIRST RELEASE	



NOTES:
 ELECTRICAL:
 1:RATED CURRENT: 7.5 A MAX.
 2:RATED VOLTAGE: 50 V AC.
 3:CONTACT RESISTANCE: XLR:30 MILLIOHMS MAX.
 JACK:30 MILLIOHMS MAX.
 4:INSULATION RESISTANCE: 1 G OHMS MIN.
 5:DIELECTRIC WITHSTANDING VOLTAGE: 500 VAC MIN.
 MECHANICAL:
 1:INSERTION FORCE: 5N~40N
 2:WITHDRAWAL FORCE: 5N~40N.
 4:DURABILITY: 1000 CYCLES.
 ENVIRONMENTAL:
 TEMPERATURE RANGE: -30°C TO 80°C.

ANGLE	±5°	MODEL NAME: SPC-16E-11P (PART NO.)	DESIGN: X.H.Wang 08/14'18	TITLE: XLR CABLE CONNECTORS	REV: A
63 < L	±0.5				
16 < L ≤ 63	±0.4				
4 < L ≤ 16	±0.3				
L ≤ 4	±0.2	MAT'L: See table	CHECKED: L.W.Wu 08/14'18	DWG NO.:	
TOL TABLE:		FINISH: See table	APPROVED: X.Q.Hu 08/14'18	UNIT: mm	VIEW: 5:1
THIS DOCUMENT IS THE PROPERTY OF TRENDPRO TECHNOLOGY CO., LTD. NO PART THEREOF MAY BE REPRODUCED AND USED WITHOUT THE PRIOR WRITTEN CONSENT OF THE OWNER		Q'TY: /			SHEET: 1/1
					SIZE: A3

广东正宝科技有限公司
 GUANGDONG TRENDPRO TECHNOLOGY CO., LTD.