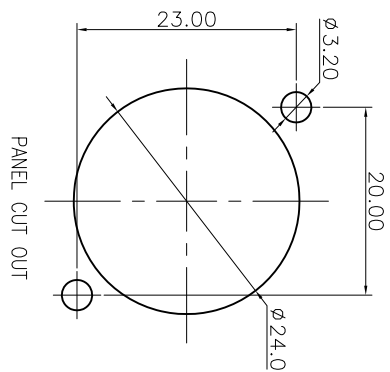
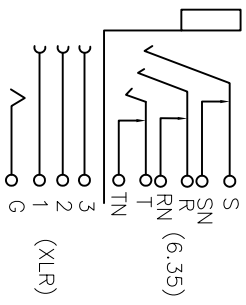
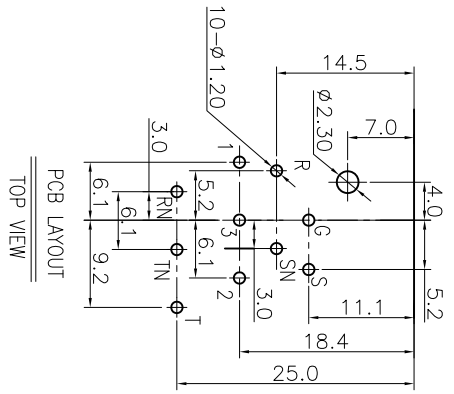
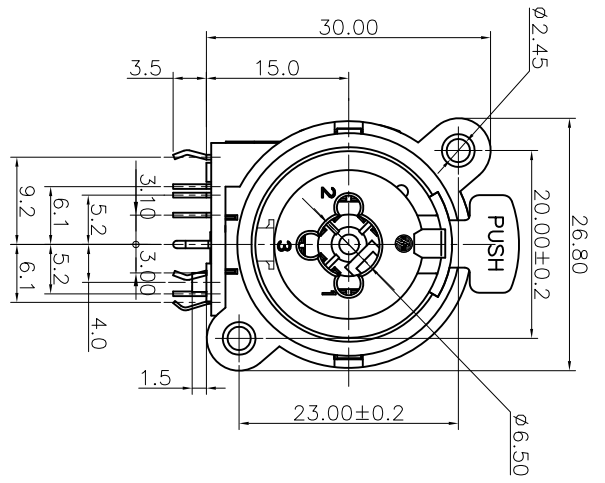
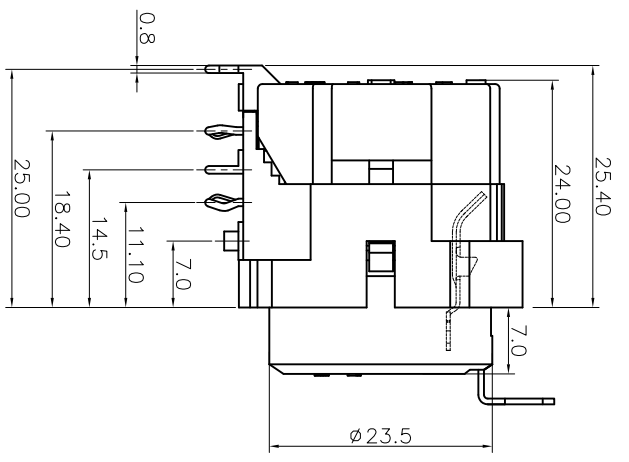


REV.	ECN NO.	MODIFIED MARK	APPROVED
A		FIRST RELEASE	



- NOTES:
- ELECTRICAL:
- 1:RATED CURRENT: 7.5 A MAX.
 - 2:RATED VOLTAGE: 50 V AC.
 - 3:CONTACT RESISTANCE: XLR:30 MILLIOHMS MAX. JACK:30 MILLIOHMS
- MAX.
- 4:INSULATION RESISTANCE: 1 G OHMS MIN.
 - 5:DIELECTRIC WITHSTANDING VOLTAGE: 500 VAC MIN.
- MECHANICAL:
- 1:INSERTION FORCE: 5N~40N
 - 2:WITHDRAWAL FORCE: 5N~40N.
 - 4:DURABILITY: 1000 CYCLES.
- ENVIRONMENTAL:
- TEMPERATURE RANGE: -30°C TO 80°C.

ANGLE	±5°
63 < L	±0.5
16 < L ≤ 63	±0.4
4 < L ≤ 16	±0.3
L ≤ 4	±0.2

TOL TABLE:

THIS DOCUMENT IS THE PROPERTY OF TRENDPRO TECHNOLOGY CO., LTD. NO PART THEREOF MAY BE REPRODUCED AND USED WITHOUT THE PRIOR WRITTEN CONSENT OF THE OWNER

MODEL NAME: SPC-16B-10P (PART NO.)	DESIGN: X.H.Wang 08/14'18	TITLE: XLR CABLE CONNECTORS
MAT'L: See table	CHECKED: L.W.Wu 08/14'18	DWG NO.:
FINISH: See table	APPROVED: X.Q.Hu 08/14'18	UNIT: mm
Q'TY: /		VIEW:
		SCALE: 5:1
		SHEET: 1/1
		SIZE: A3
		REV: A

广东正宝科技有限公司
GUANGDONG TRENDPRO TECHNOLOGY CO., LTD.