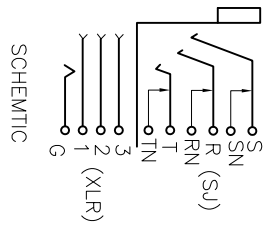
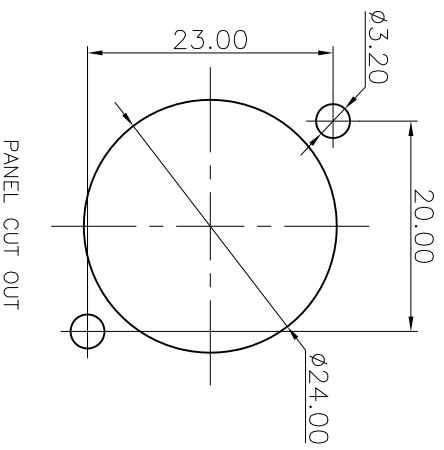
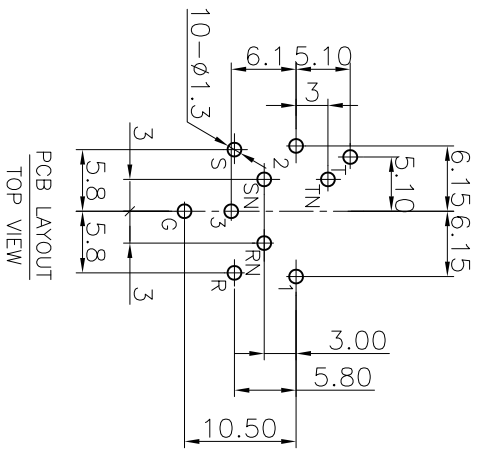
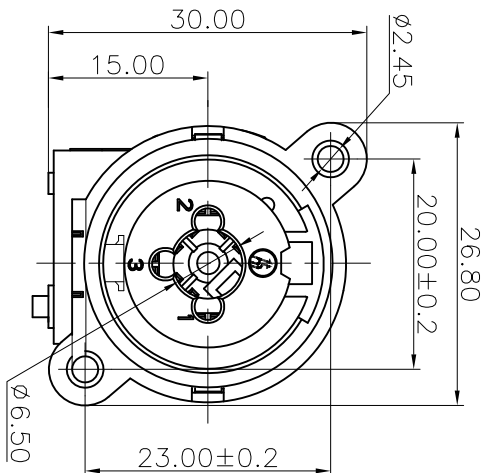
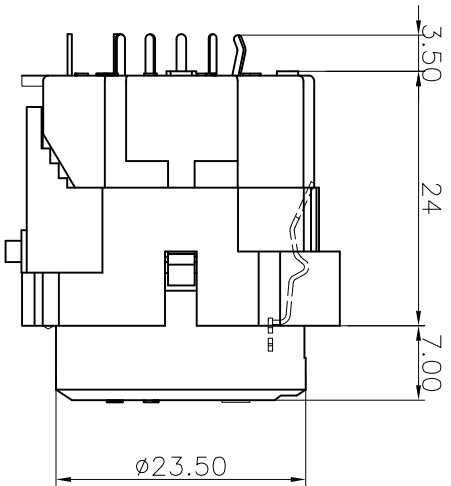
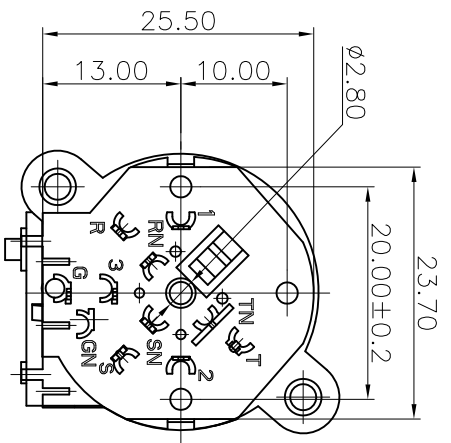


REV.	ECN NO.	MODIFIED MARK	APPROVED
A		FIRST RELEASE	



NOTES:  
 ELECTRICAL:  
 1: RATED CURRENT: 7.5 A MAX.  
 2: RATED VOLTAGE: 50 V AC.  
 3: CONTACT RESISTANCE: XLR: 30 MILLIOHMS MAX. JACK: 30 MILLIOHMS MAX.  
 4: INSULATION RESISTANCE: 1 G OHMS MIN.  
 5: DIELECTRIC WITHSTANDING VOLTAGE: 500 VAC MIN.  
 MECHANICAL:  
 1: INSERTION FORCE: 5N~40N  
 2: WITHDRAWAL FORCE: 5N~40N.  
 4: DURABILITY: 1000 CYCLES.  
 ENVIRONMENTAL:  
 TEMPERATURE RANGE: -30°C TO 80°C.

ANGLE	±5°	MODEL NAME: SPC-15D-10P (PART NO.)	DESIGN: Z.F.Lian 08/20'18	TITLE: XLR CABLE CONNECTORS	DWG NO.:	REV.: A			
63 < L	±0.5								
16 < L ≤ 63	±0.4								
4 < L ≤ 16	±0.3								
L ≤ 4	±0.2	MAT'L: See table	CHECKED: L.W.Wu 08/20'18	UNIT: mm	VIEW: 5:1	SCALE: 1/1	SHEET: 1/1	SIZE: A3	
TOL TABLE:		FINISH: See table	Q'TY: /	APPROVED: X.Q.Hu 08/20'18	THIS DOCUMENT IS THE PROPERTY OF TREPRO TECHNOLOGY CO., LTD., NO PART THEREOF MAY BE REPRODUCED AND USED WITHOUT THE PRIOR WRITTEN CONSENT OF THE OWNER				

广东正宝科技有限公司  
 GUANGDONG TREPRO TECHNOLOGY CO., LTD.