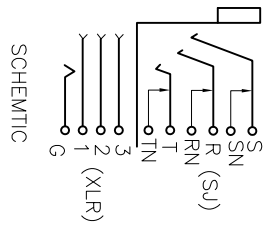
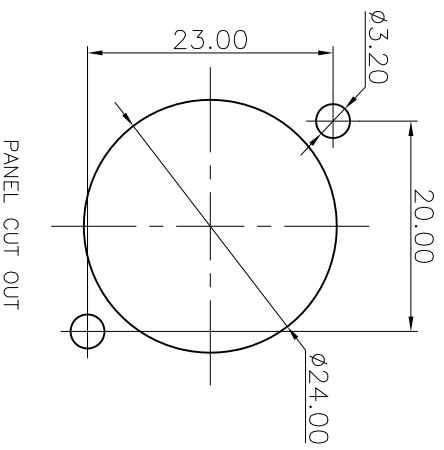
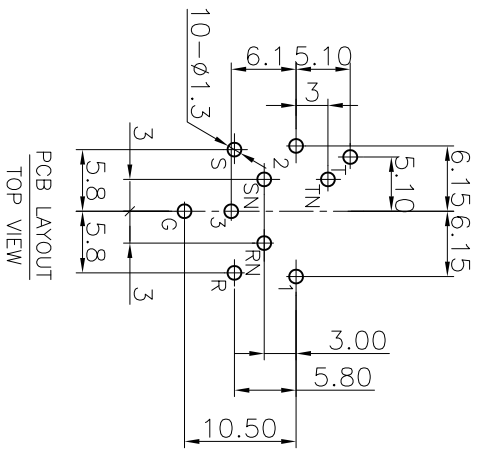
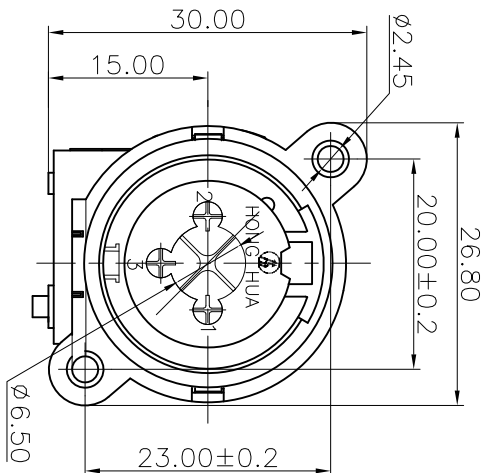
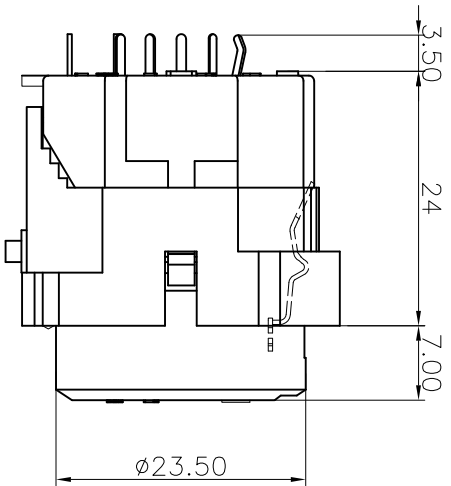
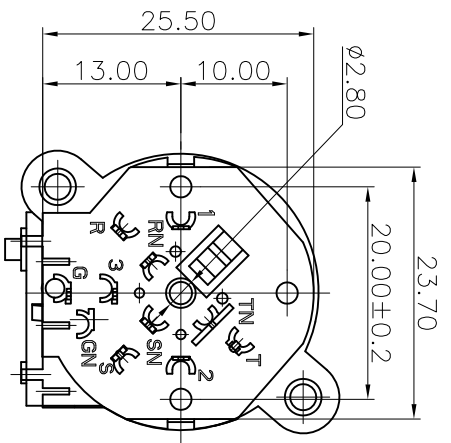


REV.	ECN NO.	MODIFIED MARK	APPROVED
A		FIRST RELEASE	



NOTES:
 ELECTRICAL:
 1:RATED CURRENT: 7.5 A MAX.
 2:RATED VOLTAGE: 50 V AC.
 3:CONTACT RESISTANCE: XLR: 30 MILLIOHMS MAX. JACK:30 MILLIOHMS MAX.
 4:INSULATION RESISTANCE: 1 G OHMS MIN.
 5:DILECTRIC WITHSTANDING VOLTAGE: 500 VAC MIN.
 MECHANICAL:
 1:INSERTION FORCE: 5N~40N
 2:WITHDRAWAL FORCE: 5N~40N.
 4:DURABILITY: 1000 CYCLES.
 ENVIRONMENTAL:
 TEMPERATURE RANGE: -30°C TO 80°C.

ANGLE	±5°	MODEL NAME: SPC-15C-10P	 广东正宝科技有限公司 GUANGDONG TRENPRO TECHNOLOGY CO., LTD.
63 < L	±0.5	(PART NO.)	
16 < L ≤ 63	±0.4		
4 < L ≤ 16	±0.3		
L ≤ 4	±0.2		
TOL TABLE:		MAT'L: See table	TITLE: XLR CABLE CONNECTORS
THIS DOCUMENT IS THE PROPERTY OF TRENPRO TECHNOLOGY CO., LTD., NO PART THEREOF MAY BE REPRODUCED AND USED WITHOUT THE PRIOR WRITTEN CONSENT OF THE OWNER		FINISH: See table	DWG NO.:
		Q'TY: /	REV.: A
		APPROVED: X.Q.Hu 08/20'18	SCALE: 5:1
			SHEET: 1/1
			SIZE: A3