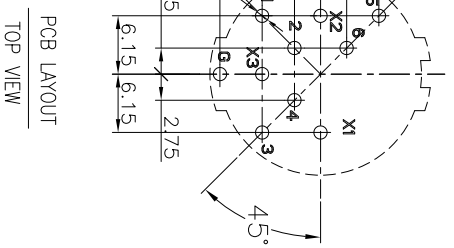
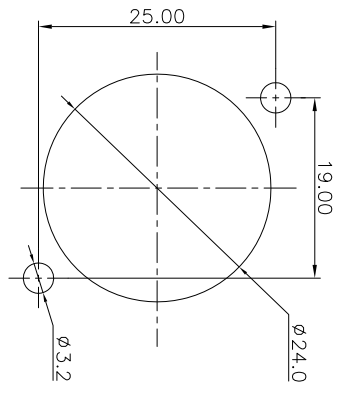
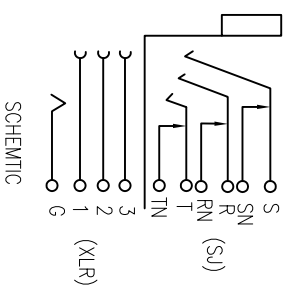
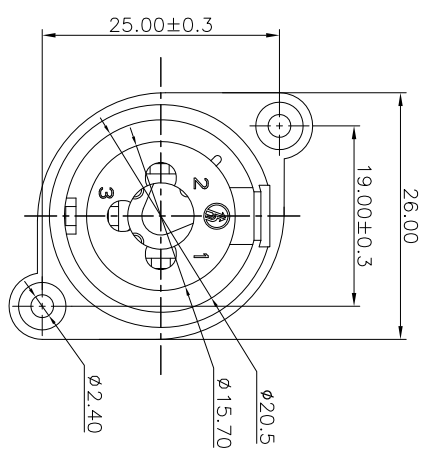
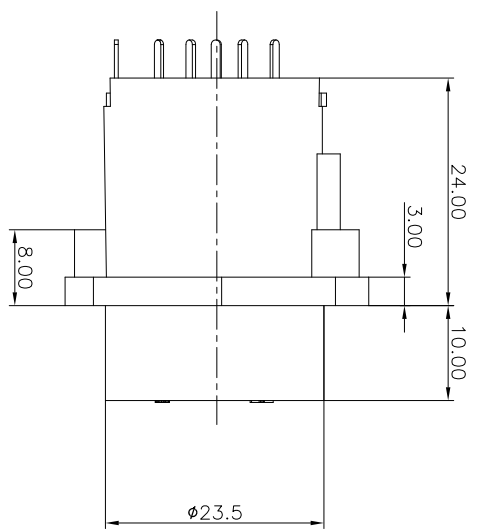
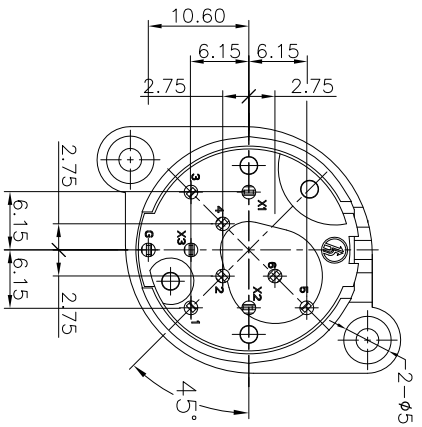


REV.	ECN NO.	MODIFIED MARK	APPROVED
A		FIRST RELEASE	



- NOTES:
- ELECTRICAL:
- 1:RATED CURRENT: 7.5 A MAX.
 - 2:RATED VOLTAGE: 50 V AC.
 - 3:CONTACT RESISTANCE: XLR: 30 MILLIOHMS MAX. JACK:30 MILLIOHMS MAX.
 - 4:INSULATION RESISTANCE: 1 G OHMS MIN.
 - 5:DIELECTRIC WITHSTANDING VOLTAGE: 500 VAC MIN.
- MECHANICAL:
- 1:INSERTION FORCE: 5N~40N
 - 2:WITHDRAWAL FORCE: 5N~40N.
 - 4:DURABILITY: 1000 CYCLES.
- ENVIRONMENTAL:
- TEMPERATURE RANGE: -30°C TO 80°C.

ANGLE	±5°	MODEL NAME:	SPC-11A	<p>广东正宝科技有限公司 GUANGDONG TRENPRO TECHNOLOGY CO., LTD.</p>	
63 < L	±0.5	(PART NO.)			
16 < L ≤ 63	±0.4	DESIGN:	X.H.Wang 10/12'18		
4 < L ≤ 16	±0.3	CHECKED:	L.W.Wu 10/12'18		
L ≤ 4	±0.2	MAT'L:	See table	TITLE:	XLR CABLE CONNECTORS
TOL TABLE:		FINISH:	See table	DWG NO.:	
THIS DOCUMENT IS THE PROPERTY OF TRENPRO TECHNOLOGY CO., LTD. NO PART THEREOF MAY BE REPRODUCED AND USED WITHOUT THE PRIOR WRITTEN CONSENT OF THE OWNER		Q'TY: /		UNIT:	mm
		APPROVED:	X.Q.Hu 10/12'18	VIEW:	SCALE:
				5:1	SHEET:
				1/1	SIZE:
					A3