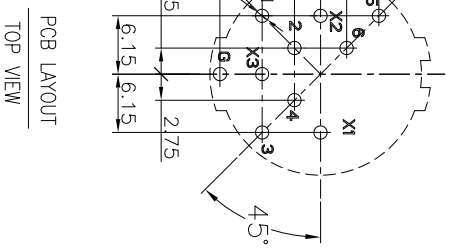
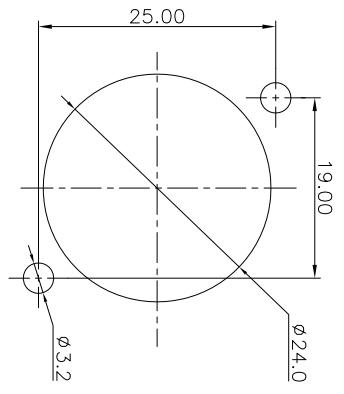
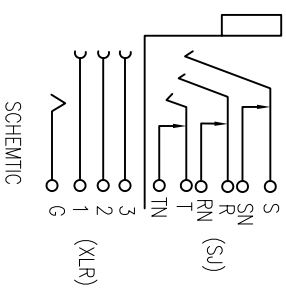
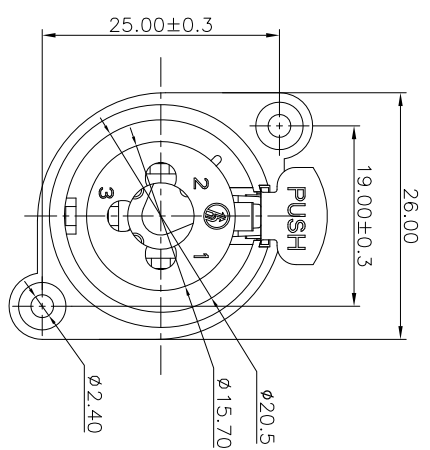
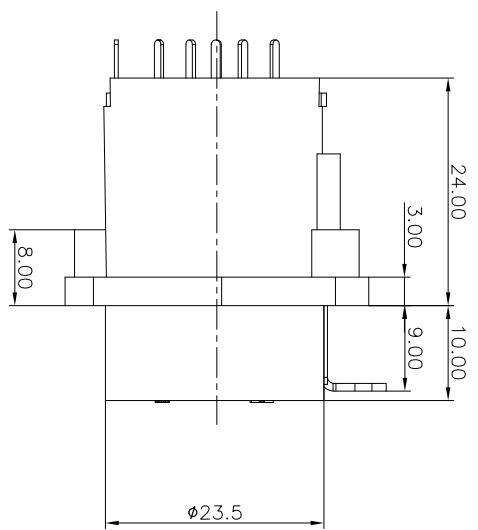
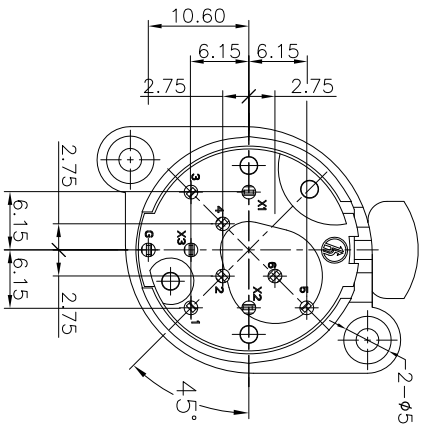


REV.	ECN NO.	MODIFIED MARK	APPROVED
A		FIRST RELEASE	



- NOTES:
- ELECTRICAL:
- 1: RATED CURRENT: 7.5 A MAX.
  - 2: RATED VOLTAGE: 50 V AC.
  - 3: CONTACT RESISTANCE: XLR: 30 MILLIOHMS MAX. JACK: 30 MILLIOHMS MAX.
  - 4: INSULATION RESISTANCE: 1 G OHMS MIN.
  - 5: DIELECTRIC WITHSTANDING VOLTAGE: 500 VAC MIN.
- MECHANICAL:
- 1: INSERTION FORCE: 5N~40N
  - 2: WITHDRAWAL FORCE: 5N~40N.
  - 4: DURABILITY: 1000 CYCLES.
- ENVIRONMENTAL:
- TEMPERATURE RANGE: -30°C TO 80°C.

ANGLE	±5°
63 < L	±0.5
16 < L ≤ 63	±0.4
4 < L ≤ 16	±0.3
L ≤ 4	±0.2

MODEL NAME: SPC-11 (PART NO.)	DESIGN: X.H.Wang 10/12'18	TITLE: XLR CABLE CONNECTORS
FINISH: See table	CHECKED: L.W.Wu 10/12'18	DWG NO.:
QTY: /	APPROVED: X.Q.Hu 10/12'18	UNIT: mm


**广东正宝科技有限公司**  
 GUANGDONG TRENPPO TECHNOLOGY CO., LTD.

THIS DOCUMENT IS THE PROPERTY OF  
 TRENPPO TECHNOLOGY CO., LTD.  
 NO PART THEREOF MAY BE REPRODUCED  
 AND USED WITHOUT THE PRIOR WRITTEN  
 CONSENT OF THE OWNER