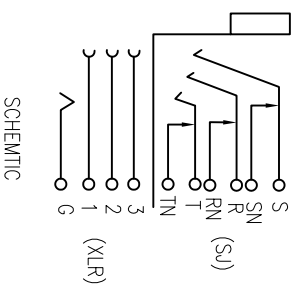
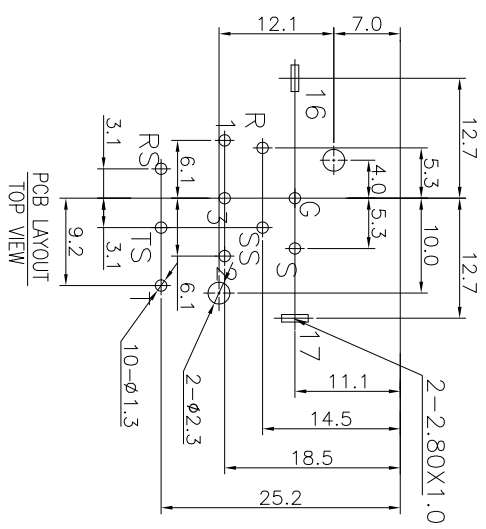
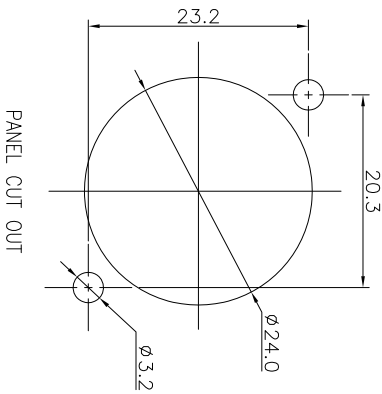
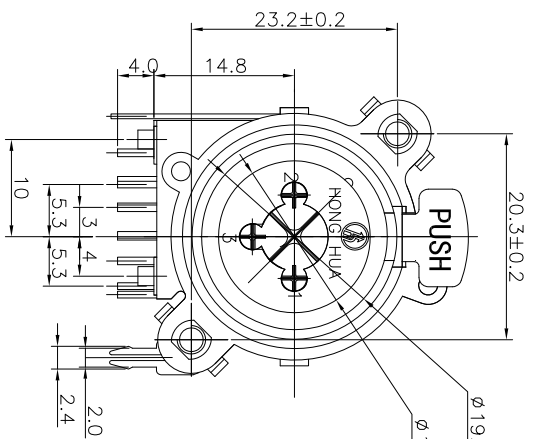
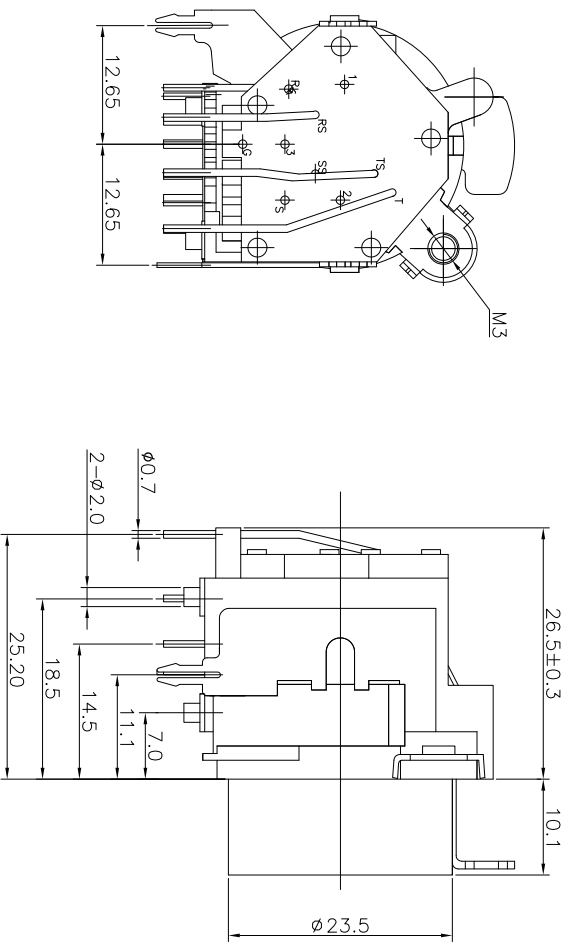


| | | | |
|--------|---------|---------------|----------|
| REV. A | ECN NO. | MODIFIED MARK | APPROVED |
| | | FIRST RELEASE | |



NOTES:

ELECTRICAL:

- 1: RATED CURRENT: 7.5 A MAX.
- 2: RATED VOLTAGE: 50 V AC.
- 3: CONTACT RESISTANCE: XLR: 30 MILLIOHMS MAX. JACK: 30 MILLIOHMS MAX.
- 4: INSULATION RESISTANCE: 1 G OHMS MIN.
- 5: DIELECTRIC WITHSTANDING VOLTAGE: 500 VAC MIN.

MECHANICAL:

- 1: INSERTION FORCE: 5N~40N
- 2: WITHDRAWAL FORCE: 5N~40N.
- 4: DURABILITY: 1000 CYCLES.

ENVIRONMENTAL:

TEMPERATURE RANGE: -30°C TO 80°C.

| | | | | | |
|------------------------------------|------|-------------|---------------------------|--|----------------------|
| ANGLE | ±5° | MODEL NAME: | SPC-03A-10P | 广东正宝科技有限公司 GUANGDONG TRENPPO TECHNOLOGY CO., LTD. | |
| 63 < L | ±0.5 | (PART NO.) | | | |
| 16 < L ≤ 63 | ±0.4 | DESIGN: | X.H.Wang 09/19'18 | TITLE: | XLR CABLE CONNECTORS |
| 4 < L ≤ 16 | ±0.3 | MAT'L: | See table | DWG NO.: | |
| L ≤ 4 | ±0.2 | FINISH: | See table | UNIT: | mm |
| TOL TABLE: | | Q'TY: / | APPROVED: X.Q.Hu 09/19'18 | VIEW: | SCALE: 5:1 |
| THIS DOCUMENT IS THE PROPERTY OF | | | | SHEET: | 1/1 |
| TRENPRO TECHNOLOGY CO., LTD. | | | | SIZE: | A3 |
| NO PART HEREOF MAY BE REPRODUCED | | | | REV.: | A |
| AND USED WITHOUT THE PRIOR WRITTEN | | | | | |
| CONSENT OF THE OWNER | | | | | |