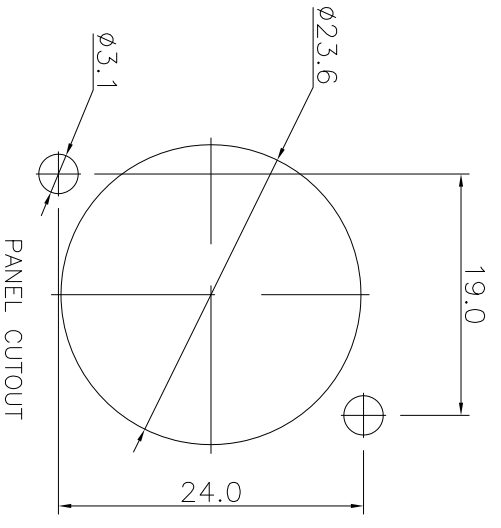
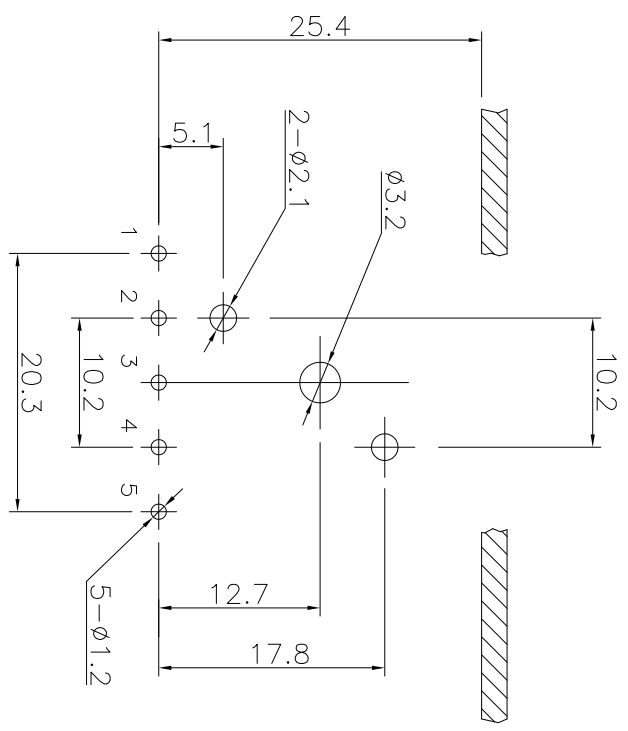
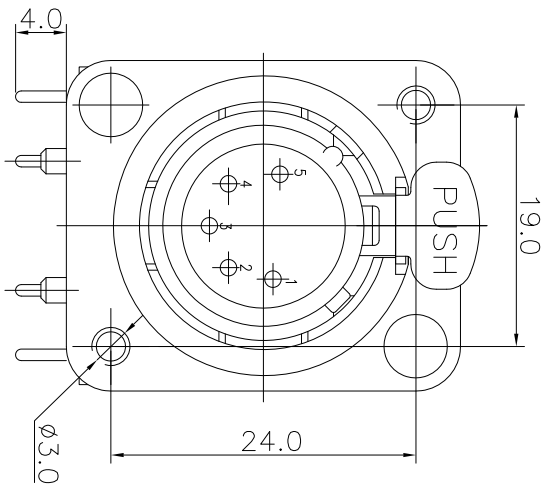
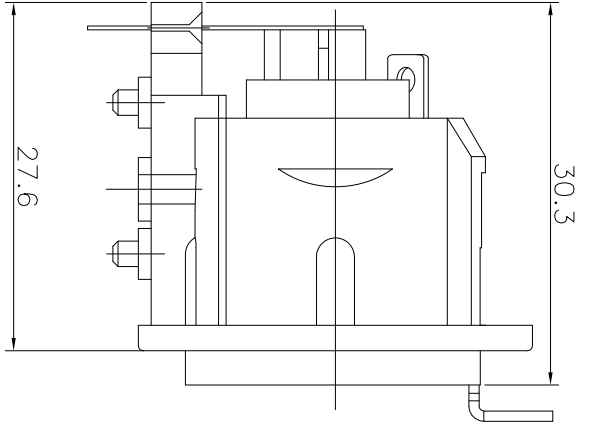


REV.	ECN NO.	MODIFIED MARK	APPROVED
A		FIRST RELEASE	



NOTES:

ELECTRICAL:

- 1: RATED CURRENT: 3A Max.
- 2: RATED VOLTAGE: 50V AC.
- 3: CONTACT RESISTANCE: 30 MILLIOHMS Max.
- 4: INSULATION RESISTANCE: 1G OHMS Min.
- 5: DIELECTRIC WITHSTANDING VOLTAGE: 500 VAC Min.

MECHANICAL:

- 1: INSERTION FORCE: 5N-40N.
- 2: WITHDRAWAL FORCE: 5N-40N.
- 3: DURABILITY: 1000 CYCLES.

ENVIRONMENTAL:

TEMPERATURE RANGE: -30°C TO 80°C.

ANGLE	±5°
63 < L	±0.5
16 < L ≤ 63	±0.4
4 < L ≤ 16	±0.3
L ≤ 4	±0.2

TOL TABLE:	
THIS DOCUMENT IS THE PROPERTY OF TERPRO TECHNOLOGY CO., LTD. NO PART THEREOF MAY BE REPRODUCED AND USED WITHOUT THE PRIOR WRITTEN CONSENT OF THE OWNER	
MODEL NAME: SPF5-31A (PART NO.)	TITLE: XLR CABLE CONNECTORS
DESIGN: X.H.Wong 08/31'18	DWG NO.:
CHECKED: L.W.Wu 08/31'18	UNIT: mm
APPROVED: X.Q.Hu 08/31'18	VIEW: 1/1
Q'TY: /	SCALE: SHEET: A3

