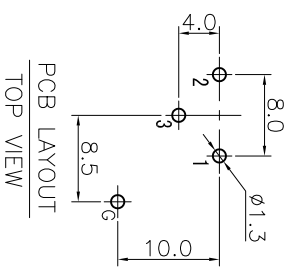
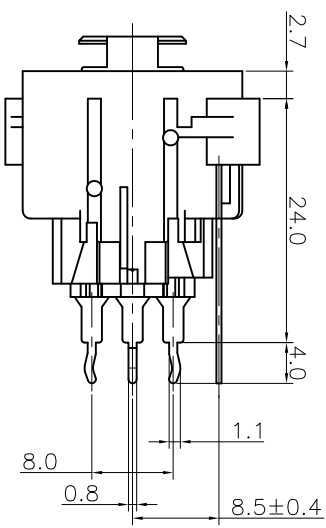
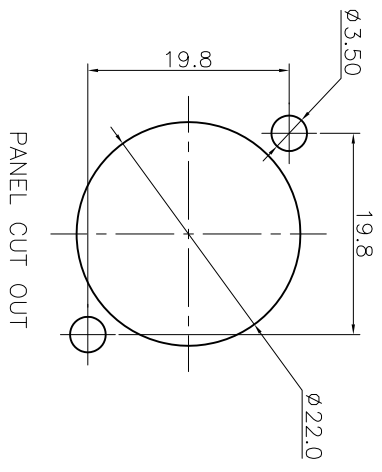
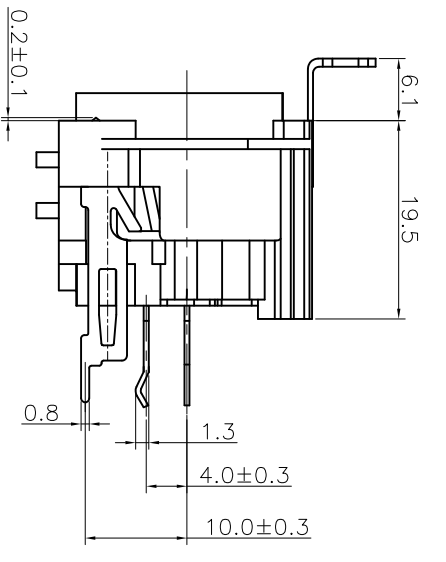
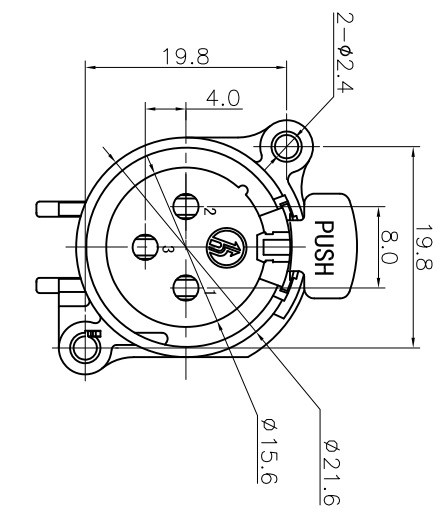


REV.	ECN NO.	MODIFIED MARK	APPROVED
A		FIRST RELEASE	



NOTES:
 ELECTRICAL:
 1: RATED CURRENT: 6A Max.
 2: RATED VOLTAGE: 50V AC.
 3: CONTACT RESISTANCE: 30 MILLIOHMS Max.
 AFTER TESTING: 60 MILLIOHMS Max.
 4: INSULATION RESISTANCE: 1G OHMS Min.
 5: DIELECTRIC WITHSTANDING VOLTAGE: 500 VAC Min.
 MECHANICAL:
 1: INSERTION FORCE: 5N-40N.
 2: WITHDRAWAL FORCE: 5N-40N.
 3: DURABILITY: 1000 CYCLES.
 ENVIRONMENTAL:
 TEMPERATURE RANGE: -30°C TO 80°C.

ANGLE	±5°	MODEL NAME: SPF-22A	 广东正宝科技有限公司 GUANGDONG TRENPRO TECHNOLOGY CO., LTD.	TITLE: XLR CABLE CONNECTORS	DWG NO.:	REV.: A
63 < L	±0.5	(PART NO.)				
16 < L ≤ 63	±0.4	DESIGN: X.H.Wong 08/16'18	CHECKED: L.W.Wu 08/16'18	UNIT: mm	VIEW:	SCALE: 5:1
4 < L ≤ 16	±0.3	MAT'L: See table				
L ≤ 4	±0.2	FINISH: See table	QTY: /			
TOL TABLE: THIS DOCUMENT IS THE PROPERTY OF TRENPRO TECHNOLOGY CO., LTD., NO PART THEREOF MAY BE REPRODUCED AND USED WITHOUT THE PRIOR WRITTEN CONSENT OF THE OWNER						